



# T&S BRASS AND BRONZE WORKS, INC.

2 Saddleback Cove / P.O. Box 1088  
Travelers Rest, SC 29690



REG. #A2601  
ISO #9001

Model No.  
**B-0520**

Item No.

Travelers Rest, SC: 800-476-4103 Simi Valley, CA: 800-423-0150 Fax: 864-834-3518 www.tsbrass.com

This Space for Architect/Engineer Approval

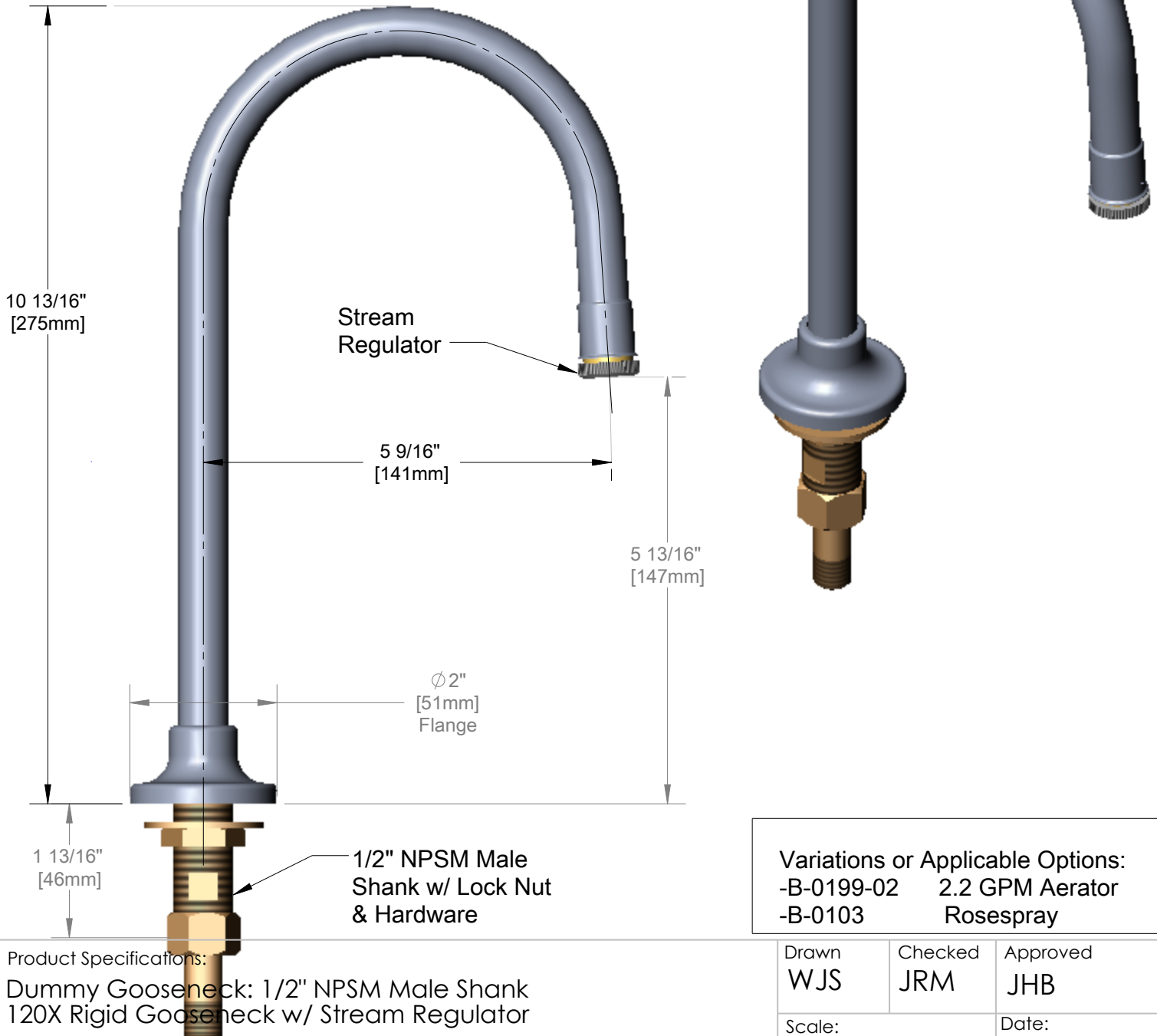
Job Name \_\_\_\_\_ Date \_\_\_\_\_

Model Specified \_\_\_\_\_ Quantity \_\_\_\_\_

Customer/Wholesaler \_\_\_\_\_

Contractor \_\_\_\_\_

Architect/Engineer \_\_\_\_\_



Variations or Applicable Options:  
 -B-0199-02 2.2 GPM Aerator  
 -B-0103 Rosespray

Product Specifications:  
 Dummy Gooseneck: 1/2" NPSM Male Shank  
 120X Rigid Gooseneck w/ Stream Regulator

Drawn WJS	Checked JRM	Approved JHB
Scale: 1:2		Date: 12/04/06



**T&S BRASS AND BRONZE WORKS, INC.**

2 Saddleback Cove / P.O. Box 1088  
Travelers Rest, SC 29690

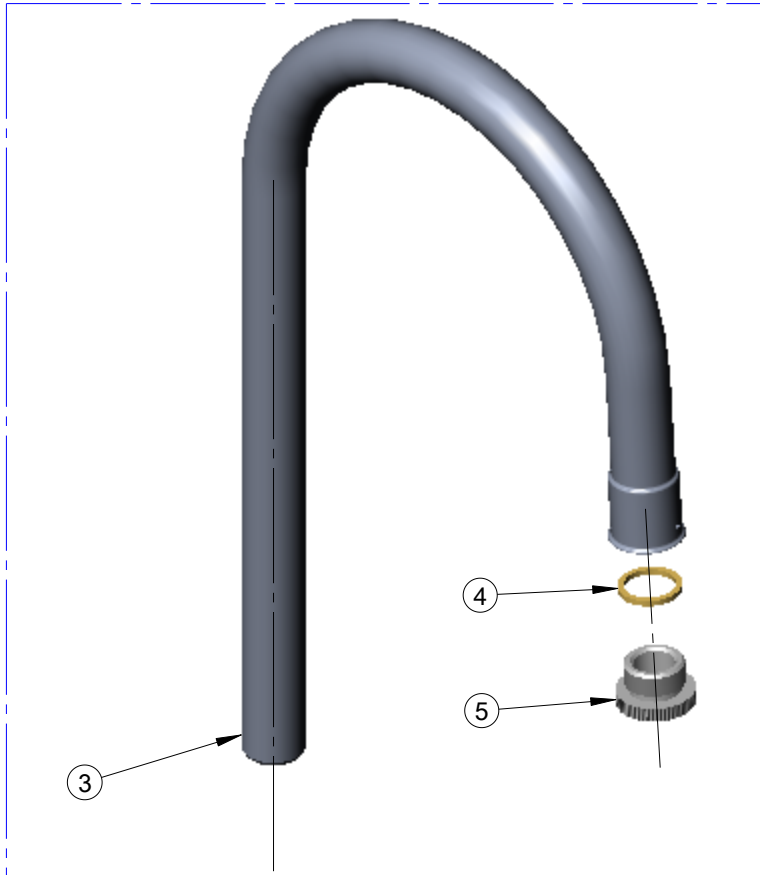


REG. #A2601  
ISO #9001

Model No.  
**B-0520**

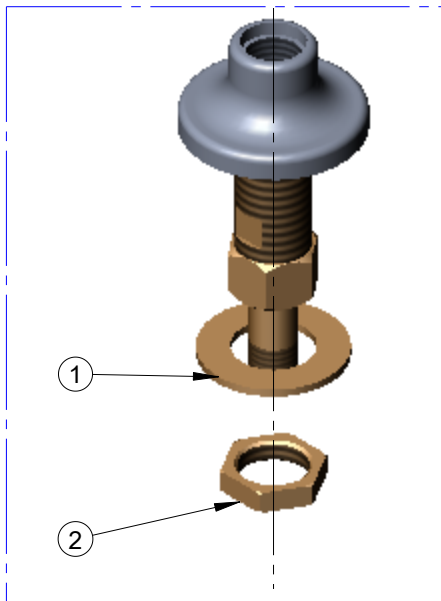
Item No.

Travelers Rest, SC: 800-476-4103 Simi Valley, CA: 800-423-0150 Fax: 864-834-3518 www.tsbrass.com



ITEM	PART NO.	DESCRIPTION
1	007361-45	Brass Lock Washer
2	002954-45	Shank Lock Nut
3	000398-40	Rigid Gooseneck
4	009636-45	Washer
5	B-LT	Stream Regulator
7	000958-20	Coupling Nut
8	001592-20	1/4" NPT Tailpiece

For Complete Rigid Gooseneck:  
Specify 120X



For Complete Base:  
Specify B-0430

Product Specifications:

Dummy Gooseneck: 1/2" NPSM Male Shank  
120X Rigid Gooseneck w/ Stream Regulator

Drawn WJS	Checked JRM	Approved JHB
Scale: 1:2		Date: 12/04/06