



T&S BRASS AND BRONZE WORKS, INC.
 2 SADDLEBACK COVE / P.O. BOX 1088 / TRAVELERS REST, SC 29690
 PHONE 800-476-4103 - FAX 864- 834-3518



Model No.

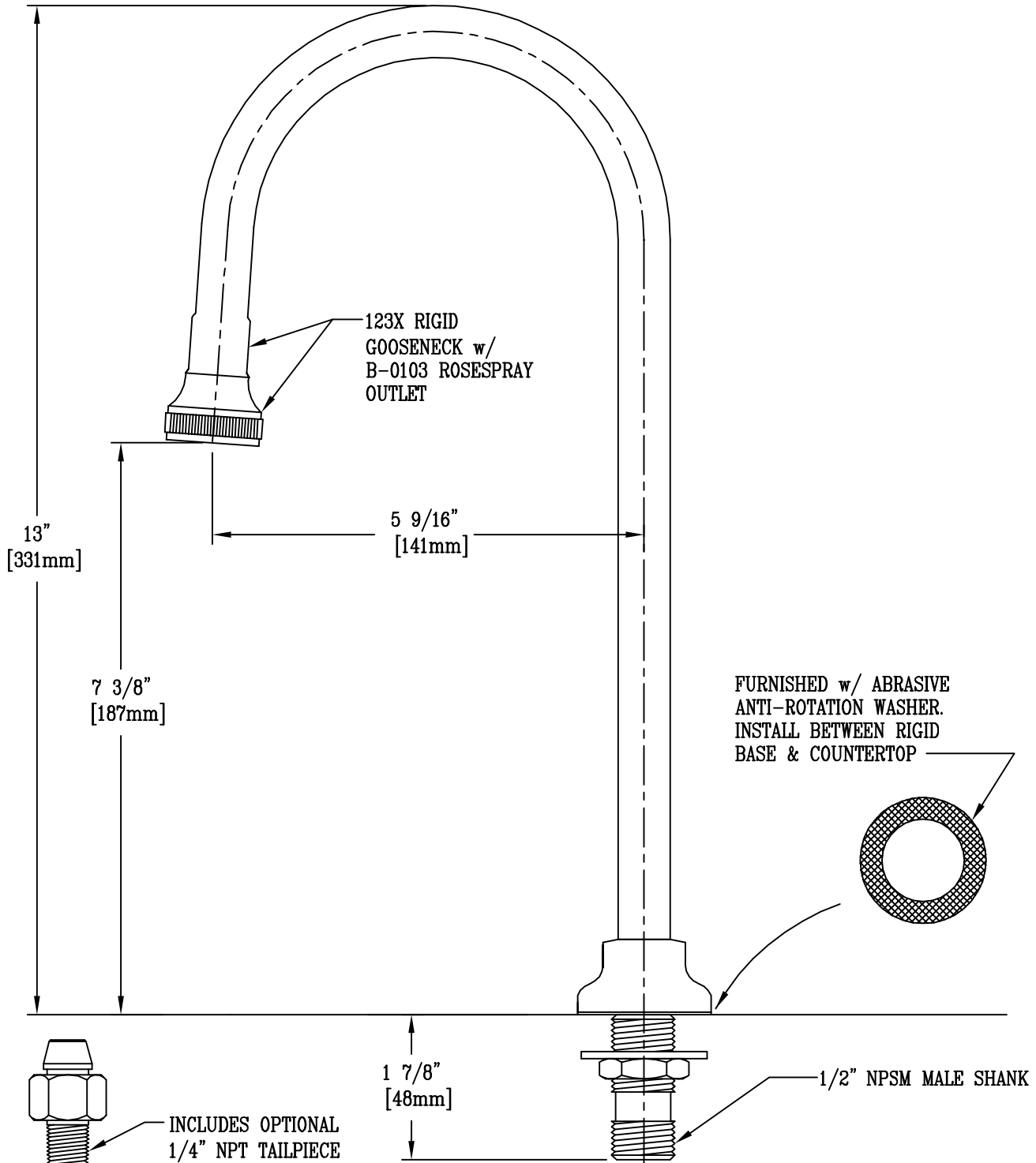
B-0531

**RELIABILITY
BUILT IN**

Job Name:

Architect/Engineer Approval:

Notes:



Product Description:

B-0520 w/ 123X, B-0103, & ANTI-ROTATION WASHER

Drawn:

WJS

Approved

MVW

Checked

JKD

Scale:

1:2

Date:

1/15/03