



T&S BRASS AND BRONZE WORKS, INC.
 2 SADDLEBACK COVE / P.O. BOX 1088 / TRAVELERS REST, SC 29690
 PHONE 800-476-4103 FAX 864-834-3518



Model No.

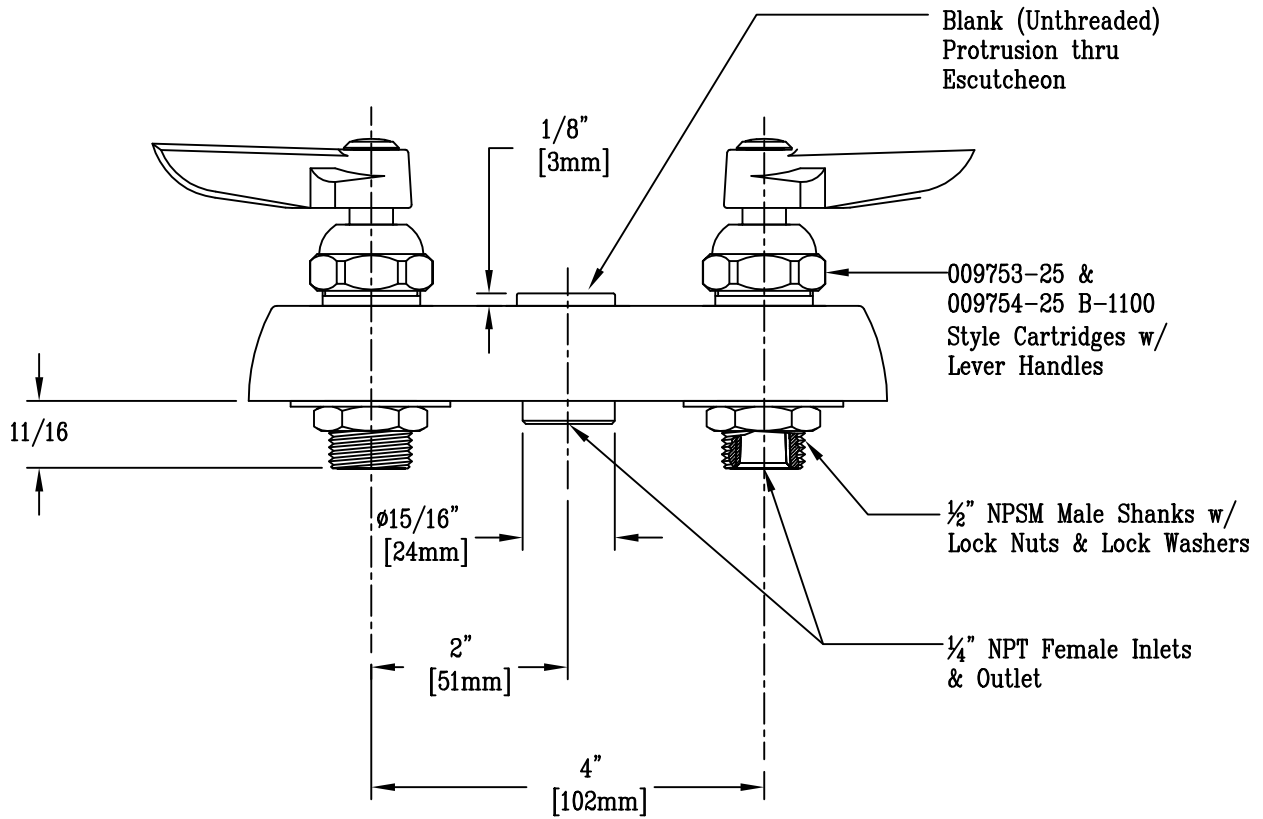
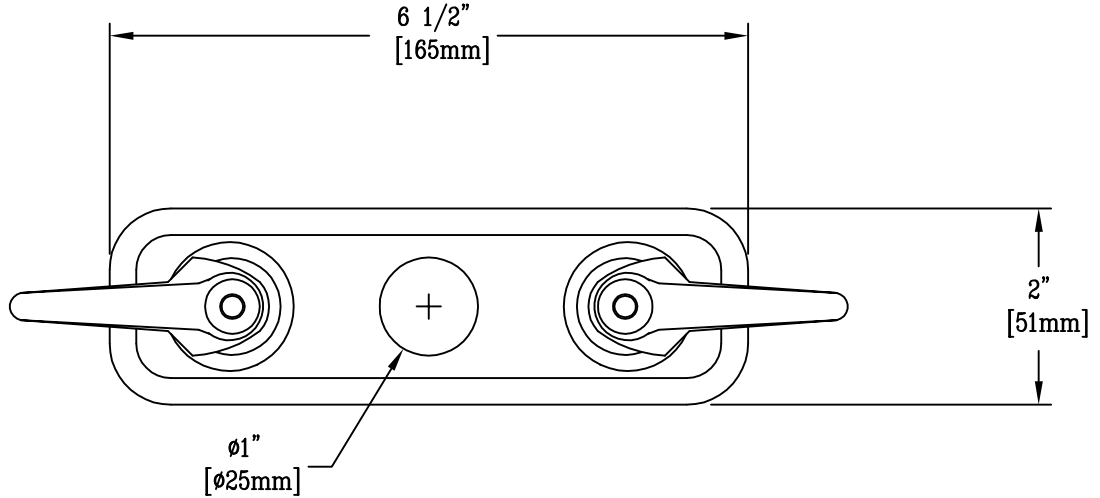
B-0534

Item No.:

Job Name:

Architect/Engineer Approval:

Notes:



Product Description:

4" c/c Concealed Mixing Fct. w/ 1/4" NPT Female Inlets & Outlet, Workboard Style Cartridges. Lever Handles

Drawn:

WJS

Approved

JHB

Checked

JRM

Scale:

1 : 4

Date:

7/20/06