



**T&S BRASS AND BRONZE WORKS, INC.**  
 2 SADDLEBACK COVE / P.O. BOX 1088 / TRAVELERS REST, SC 29690  
 PHONE 800-476-4103 - FAX 864- 834-3518



Model No.

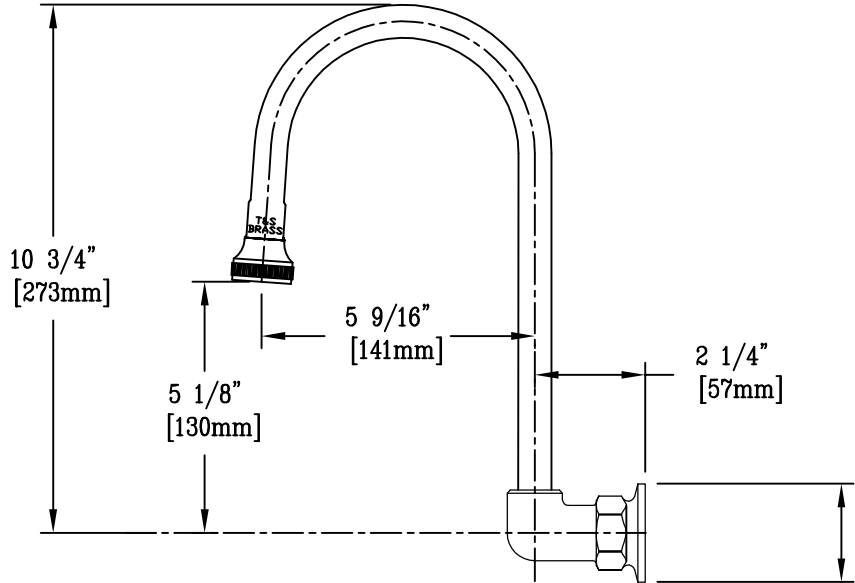
B-0538

**RELIABILITY  
BUILT IN**

Job Name:

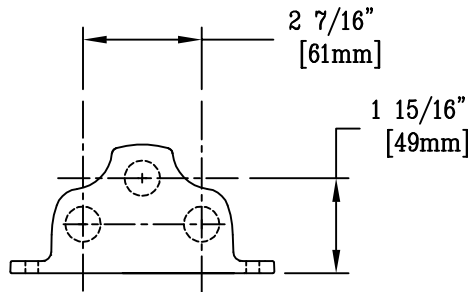
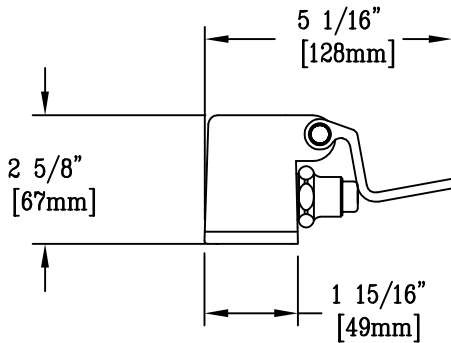
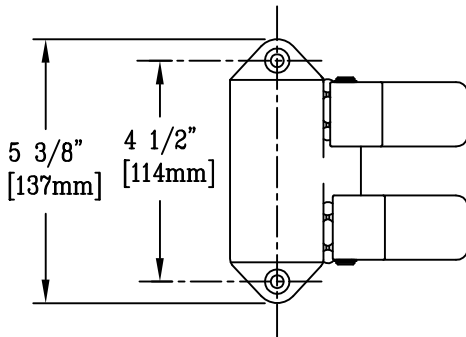
Architect/Engineer Approval:

Notes:



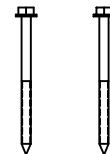
**B-0535 DUMMY RIGID  
GOOSENECK w/ ROSESPRAY**

Ø 2" [51mm]  
FLANGE w/ 3/8" NPT  
FEMALE INLET



**B-0502 DOUBLE PEDAL VALVE**

**FURNISHED w/ (2) "TAPCON"  
FASTENING SCREWS**



Product Description:

B-0502 DOUBLE PEDAL VALVE w/ B-0535  
WALL MOUNT RIGID DUMMY GOOSENECK & ROSESPRAY

Drawn:

WJS

Approved

JHB

Checked

JRM

Scale:

1 : 4

Date:

10/13/06