



**T&S BRASS AND BRONZE WORKS, INC.**  
 2 SADDLEBACK COVE / P.O. BOX 1088 / TRAVELERS REST, SC 29690  
 PHONE 800-476-4103 - FAX 864- 834-3518



Model No.

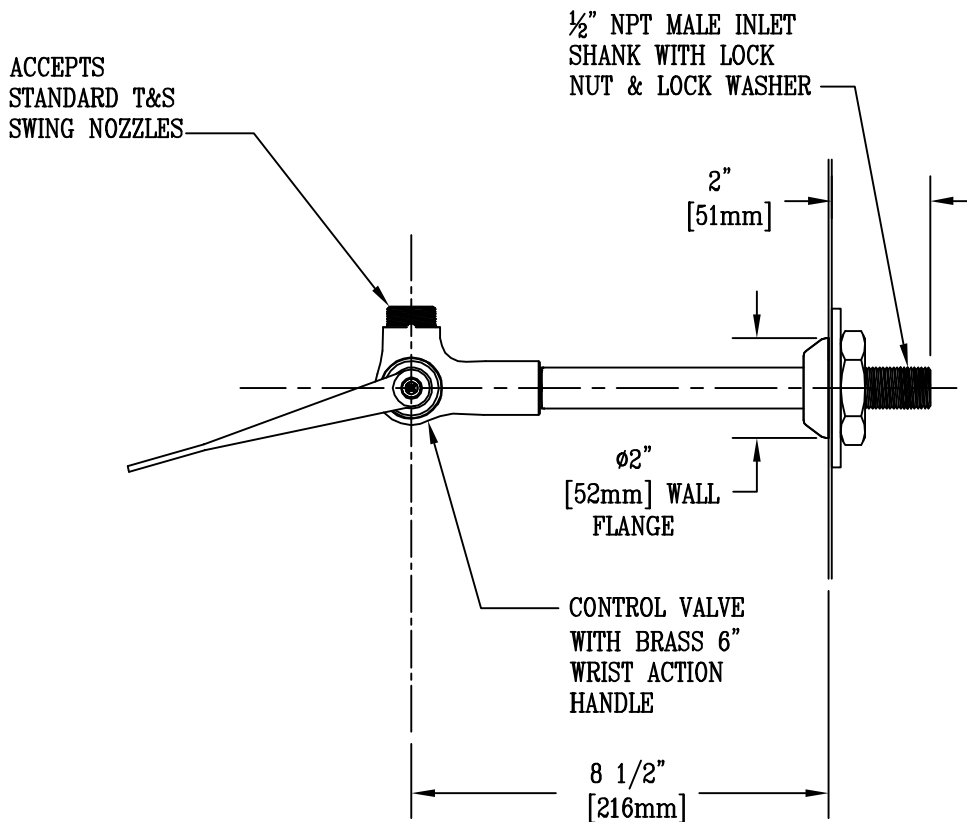
B-0583-LN

**RELIABILITY  
 BUILT IN**

Job Name:

Architect/Engineer Approval:

Notes:



NOTE: REQUIRES 7/8" DIAMETER MOUNTING HOLE

Product Description:

BACKSPLASH MOUNTED FAUCET WITH 1/2" NPT MALE INLET SHANK, PANEL FLANGE, LESS NOZZLE, 6" WRIST ACTION HANDLE

Drawn:

WJS

Checked

JKD

Scale:

1 : 4

Approved

MVW

Date:

2/20/04