



# T&S BRASS AND BRONZE WORKS, INC.

2 Saddleback Cove / P.O. Box 1088  
Travelers Rest, SC 29690



REG. #A2601  
ISO #9001

Model No.  
**B-0805**

Item No.

Travelers Rest, SC: 800-476-4103 Simi Valley, CA: 800-423-0150 Fax: 864-834-3518 www.tsbrass.com

This Space for Architect/Engineer Approval

Job Name \_\_\_\_\_ Date \_\_\_\_\_

Model Specified \_\_\_\_\_ Quantity \_\_\_\_\_

Customer/Wholesaler \_\_\_\_\_

Contractor \_\_\_\_\_

Architect/Engineer \_\_\_\_\_



Furnished w/  
Spanner Bit for  
Flow Duration  
Adjustment

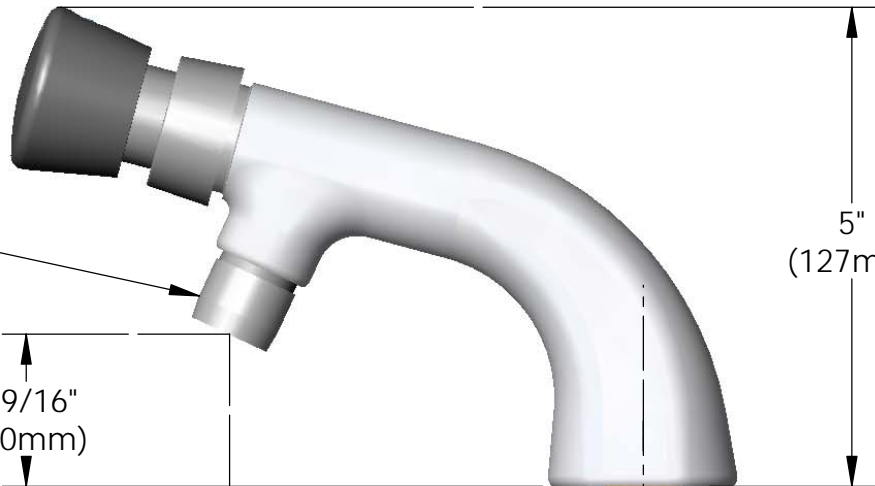
Variations or Applicable Options:  
-B-0199-21 2.2 GPM Laminar Flow Outlet

Push Button Metering  
Cartridge



2.2 GPM  
Aerator

1 9/16"  
(40mm)



5"  
(127mm)

4 5/16"  
(109mm)

1/2" NPSM  
Male Shank

Product Specifications:  
Single Temperature Deck Mount Faucet, 1/2" NPSM  
Male Shank, Push Button Metering Cartridge,  
& 2.2 GPM Aerator

Drawn  
WJS

Checked  
JRM

Approved  
JHB

Scale:

1:2

Date:

3/13/2006



**T&S BRASS AND BRONZE WORKS, INC.**  
 2 Saddleback Cove / P.O. Box 1088  
 Travelers Rest, SC 29690



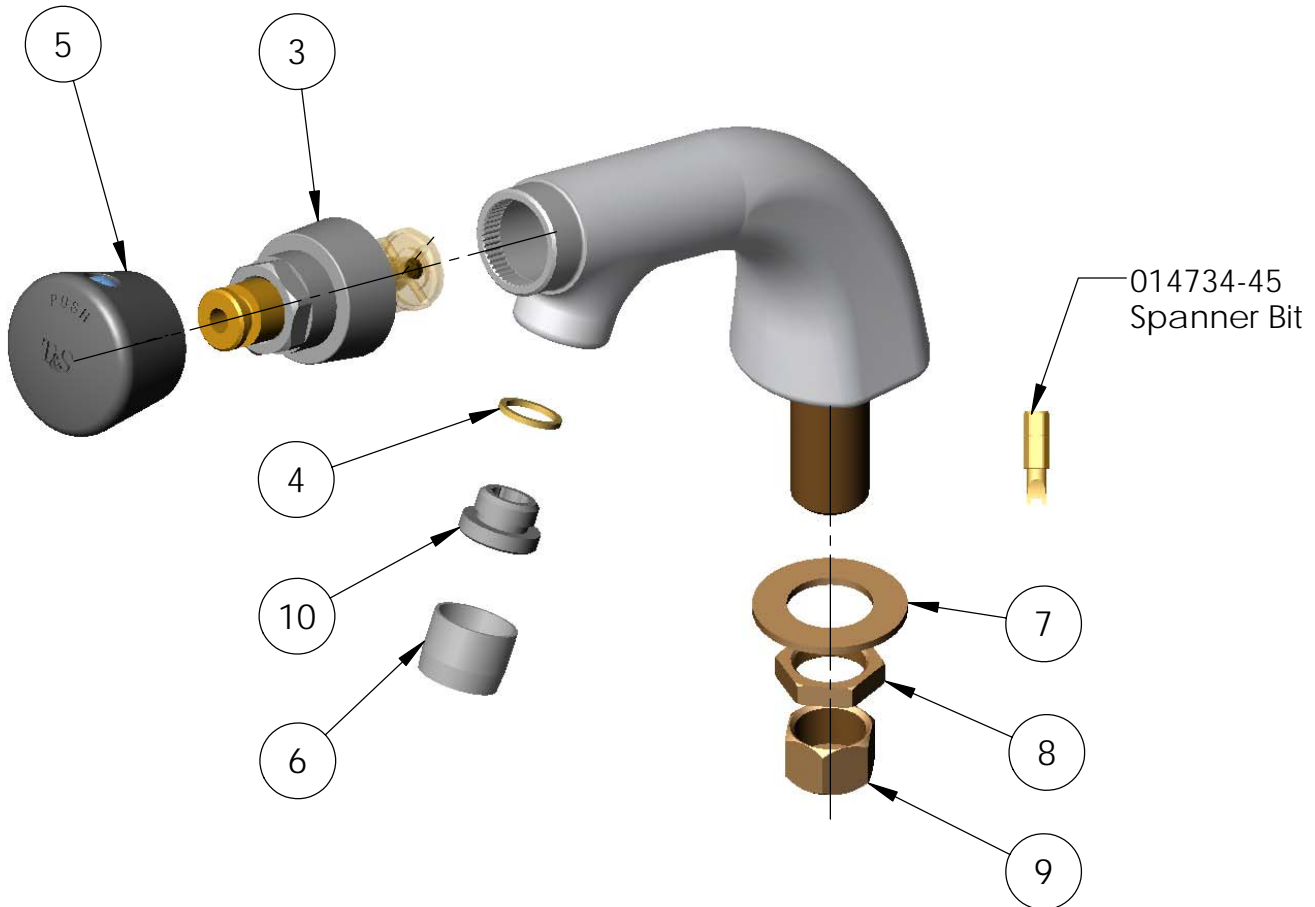
REG. #A2601  
 ISO #9001

Model No.  
**B-0805**

Item No.

Travelers Rest, SC: 800-476-4103 Simi Valley, CA: 800-423-0150 Fax: 864-834-3518 www.tsbrass.com

Item No.	Sales No.	Description
3	238A	Push Button Metering Ctg.
4	009636-45	Washer
5	014193-40	Push Button Cap Asm.
6	B-0199-01	2.2 GPM Aerator
7	007361-45	Brass Lock Washer
8	002954-45	Shank Lock Nut
9	000958-20	Coupling Nut
10	044A	3/8" to Aer. Adapter



Product Specifications:

Single Temperature Deck Mount Faucet, 1/2" NPSM  
 Male Shank, Push Button Metering Cartridge,  
 & 2.2 GPM Aerator

Drawn WJS	Checked JRM	Approved JHB
Scale: 1:2		Date: 3/13/2006