



T&S BRASS AND BRONZE WORKS, INC.

2 SADDLEBACK COVE / P.O. BOX 1088 / TRAVELERS REST, SC 29690

PHONE 800-476-4103

FAX 864-834-3518



REG.#A2601  
ISO #9002

Model No.

B-0810-POL

Item No.:

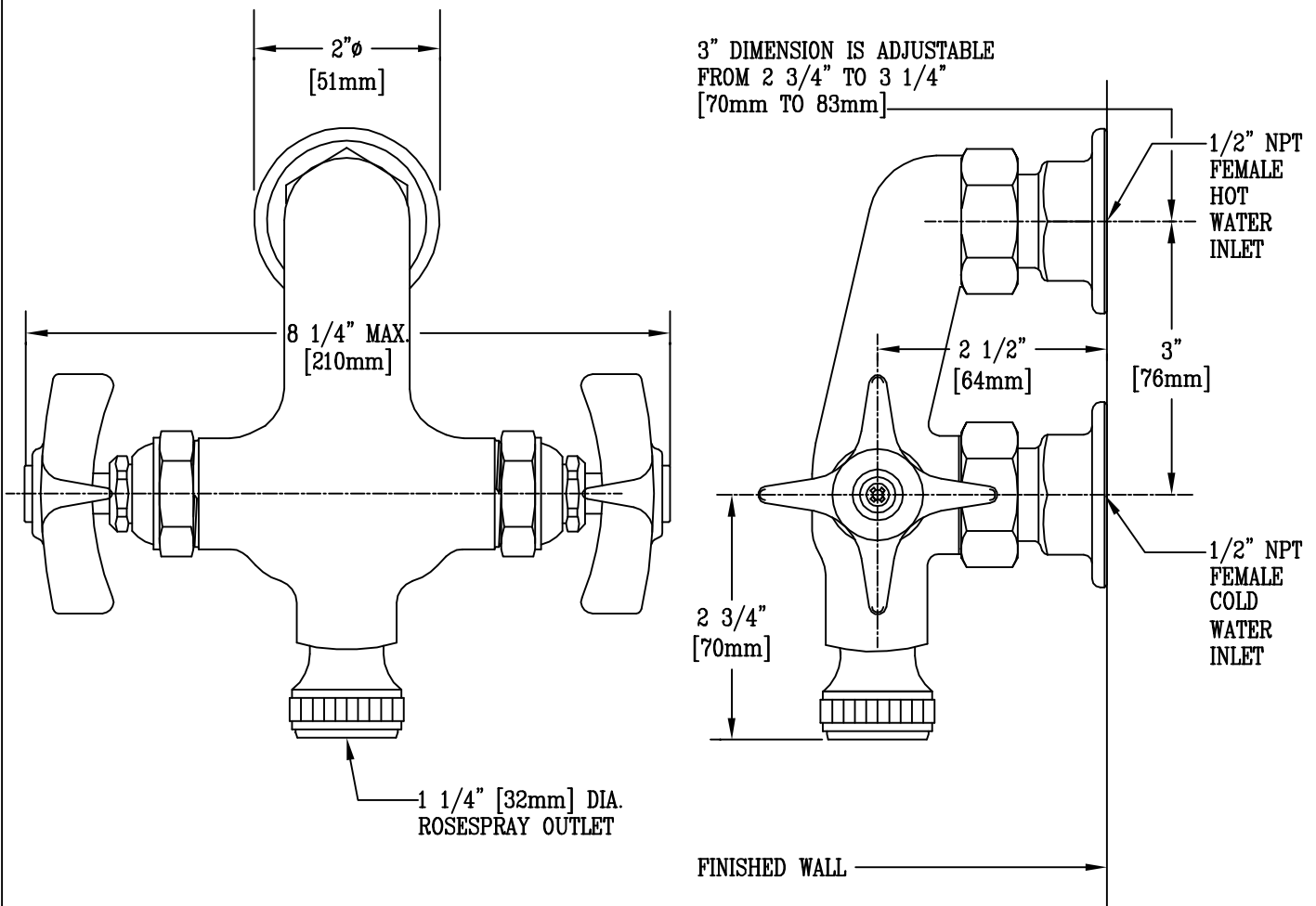
Job Name:

Architect/Engineer Approval:

Notes:



ADA COMPLIANT



Product Description:

VERTICAL MIXING FAUCET WITH 1/2" IPS FEMALE INLETS, 4-ARM HANDLES, ROSESPRAY OUTLET, AND POLISH CHROME PLATED FINISH

Drawn:

WJS

Checked:

Approved

Scale:

1:2

Date: