



T&S BRASS AND BRONZE WORKS, INC.

2 Saddleback Cove / P.O. Box 1088
Travelers Rest, SC 29690



REG. #A2601
ISO #9001

Model No.
B-0833-01

Item No.

Travelers Rest, SC: 800-476-4103 Simi Valley, CA: 800-423-0150 Fax: 864-834-3518 www.tsbrass.com

This Space for Architect/Engineer Approval

Job Name _____ Date _____

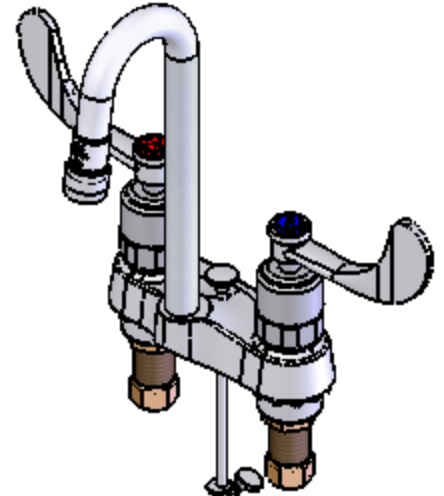
Model Specified _____ Quantity _____

Customer/Wholesaler _____

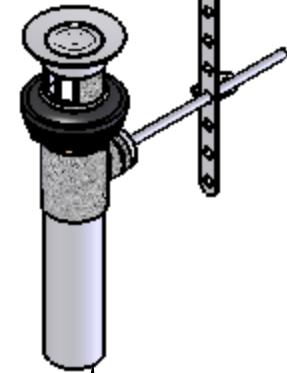
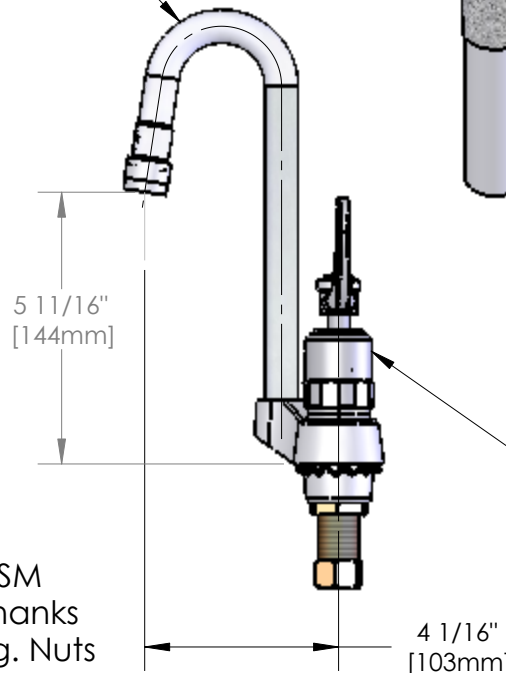
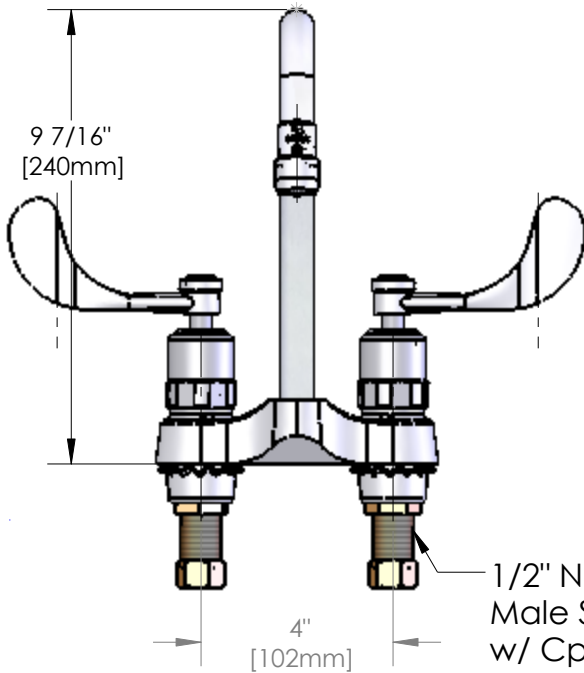
Contractor _____

Architect/Engineer _____

Variations or Applicable Options:
-B-0199-21 2.2 GPM Laminar Flow Outlet



Rigid Gooseneck
w/ 2.2 GPM
Aerator



Furnished w/
Pop-up Drain
Assembly

Wrist Action
Metering
Cartridges
w/ 4" Wrist
Action
Handles

Product Specifications:

**4" Centerset Mixing Faucet w/ 1/2" NPSM Male Shanks,
Wrist Action Metering Cartridges, 4" Wrist Action
Handles, Rigid Gooseneck, 2.2 GPM Aerator**

Drawn
WJS

Checked
GEF

Approved
JHB

Scale:

1:4

Date:

09/18/06



T&S BRASS AND BRONZE WORKS, INC.

2 Saddleback Cove / P.O. Box 1088
Travelers Rest, SC 29690



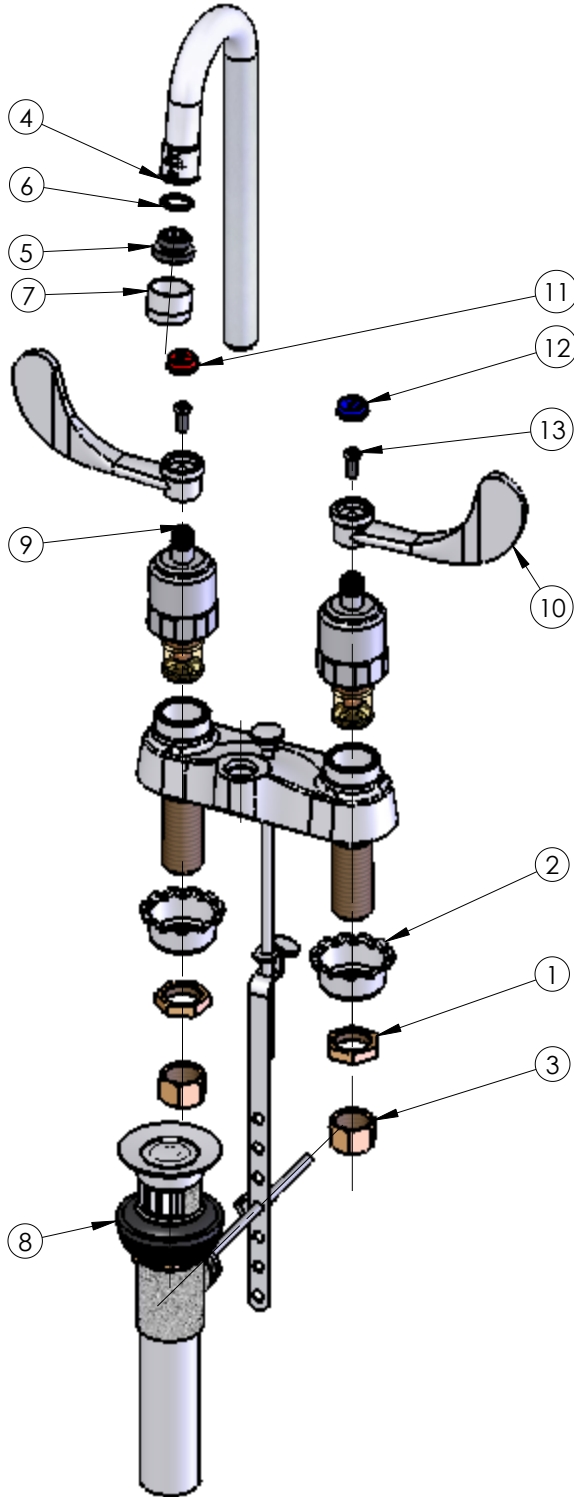
REG. #A2601
ISO #9001

Model No.

B-0833-01

Item No.

Travelers Rest, SC: 800-476-4103 Simi Valley, CA: 800-423-0150 Fax: 864-834-3518 www.tsbrass.com



ITEM NO.	SALES NO.	DESCRIPTION
1	002954-45	Shank Lock Nut
2	001000-45	Rosette Washer
3	000958-20	Coupling Nut
4	000393-40	Rigid Gooseneck
5	044A	3/8" to Aer. Adapter
6	009636-45	Washer
7	B-0199-01	2.2 GPM Aerator
8	B-0898	Pop-Up
9	012449-40	Wrist Action Metering Cartridge
10	B-WH4	4" Wrist Action Handle
11	001194-45	Red HW Index
12	001686-45	Blue CW Index
13	000925-45	Lab Handle Screw

Product Specifications:

4" Centerset Mixing Faucet w/ 1/2" NPSM Male Shanks, Wrist Action Metering Cartridges, 4" Wrist Action Handles, Rigid Gooseneck, 2.2 GPM Aerator

Drawn WJS	Checked GEF	Approved JHB
Scale: 1:4		Date: 09/18/06