



T&S BRASS AND BRONZE WORKS, INC.
 2 SADDLEBACK COVE / P.O. BOX 1088 / TRAVELERS REST, SC 29690
 PHONE 800-476-4103 FAX 864-834-3518



Model No.

B-0837-01

Item No.:

REG.#A2601
ISO #9002

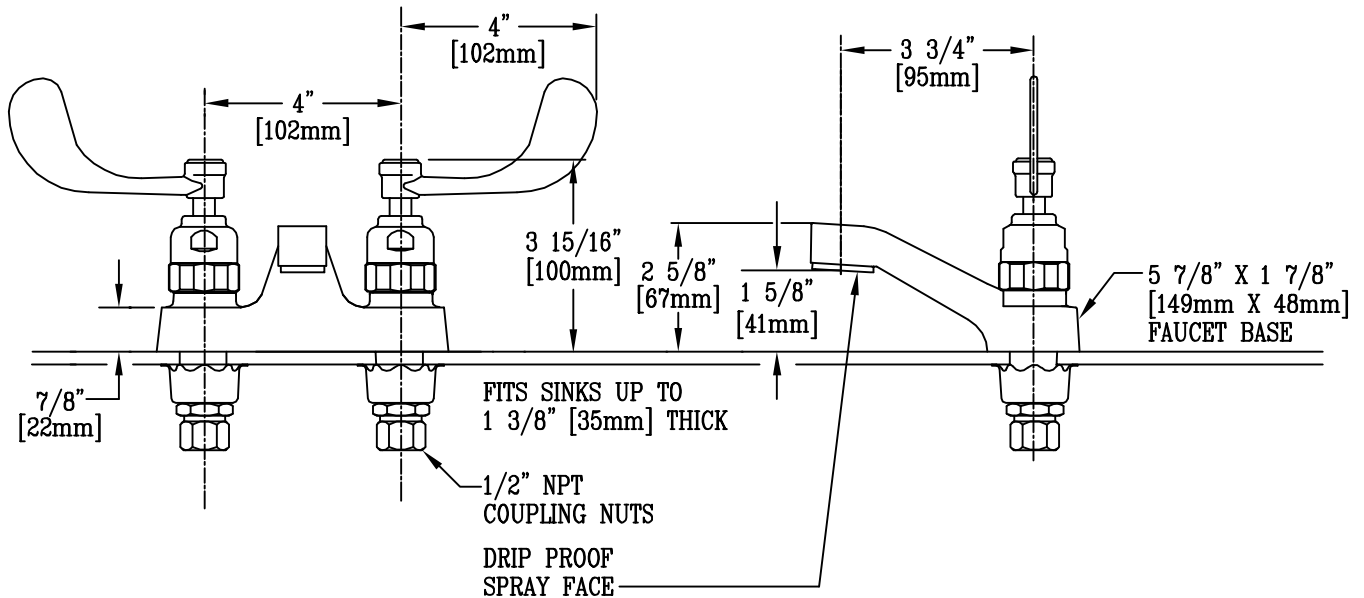
Job Name:

Architect/Engineer Approval:

Notes:



ADA COMPLIANT



FLOW ADJUSTABLE FROM
INSTANTANEOUS SHUTOFF
TO EXTENDED FLOW

Product Description:
 CENTERSET METERING & MIXING
 FAUCET WITH PLAIN OUTLET, 1/2" NPT COUPLING
 NUTS, & 4" WRIST ACTION HANDLES

Drawn:

SCM

Checked:

ARD

Scale:

3" = 1'

Approved

CA

Date:

04-01-97