



T&S BRASS AND BRONZE WORKS, INC.

2 SADDLEBACK COVE / P.O. BOX 1088 / TRAVELERS REST, SC 29690

PHONE 800-476-4103

FAX 864-834-3518



REG.#A2601
ISO #9002

Model No.

B-0867

Item No.:

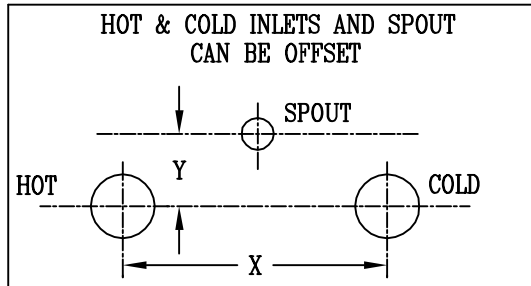
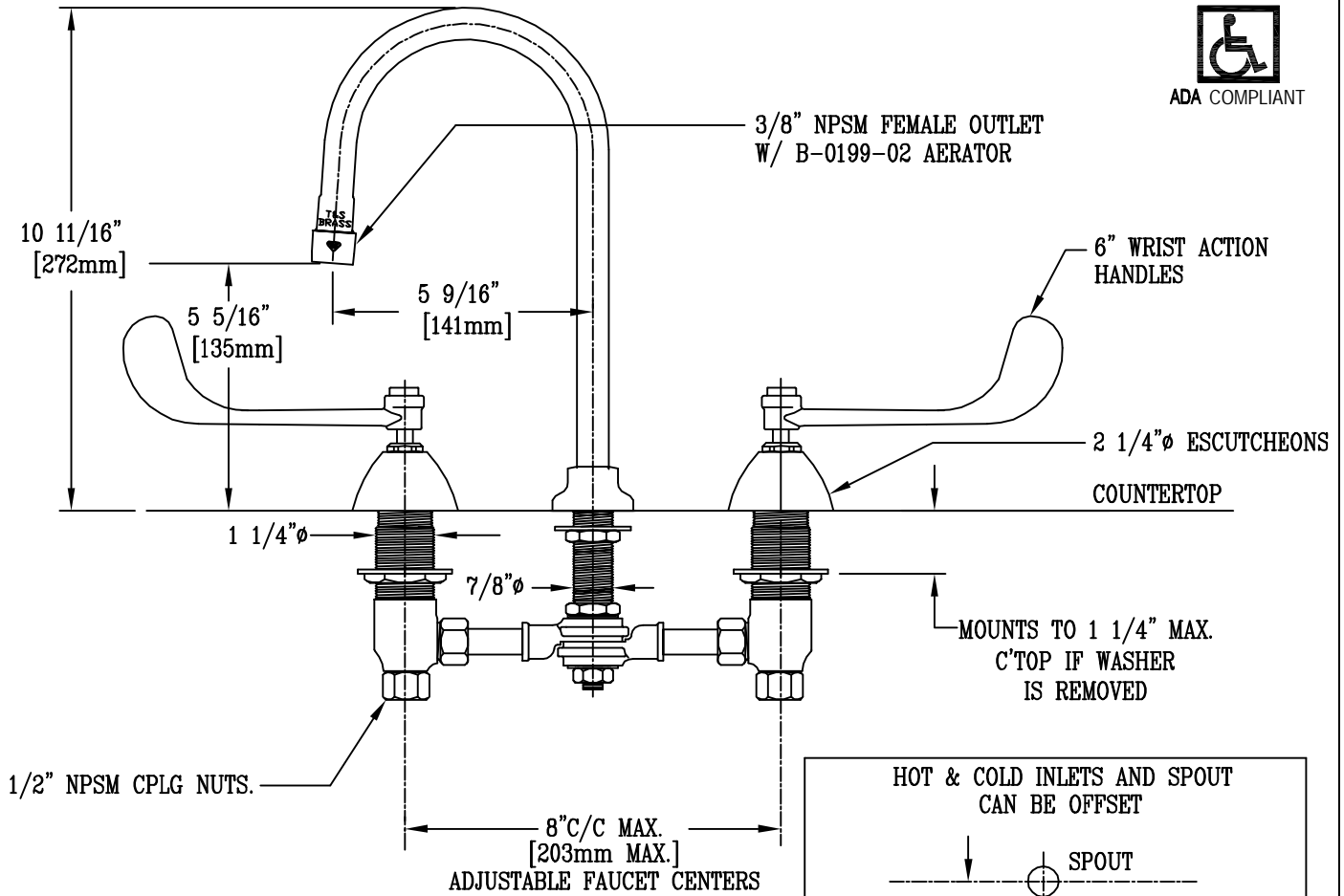
Job Name:

Architect/Engineer Approval:

Notes:



ADA COMPLIANT



IF Y IS	THEN FAUCET WILL FIT X WITH STD. 1/4" NPT CROSS PIPES FURNISHED
1/2"	8"
1"	7 3/4"
1 1/2"	7 3/8"
2"	7"

NSF STANDARD 61, SECTION 9 CERTIFIED.

Product Description:
DECK MOUNTED MIXING FAUCET WITH 6" WRIST ACTION HANDLES, ADJUSTABLE INLET CENTERS, RIGID GOOSENECK & AERATOR OUTLET

Drawn: WJS	Checked MVW	Scale: 1 : 4
Approved MVW		Date: 06/16/99