



T&S BRASS AND BRONZE WORKS, INC.

2 SADDLEBACK COVE / P.O. BOX 1088 / TRAVELERS REST, SC 29690

PHONE 800-476-4103

FAX 864- 834-3518



REG.#A2601
ISO #9002

Model No.

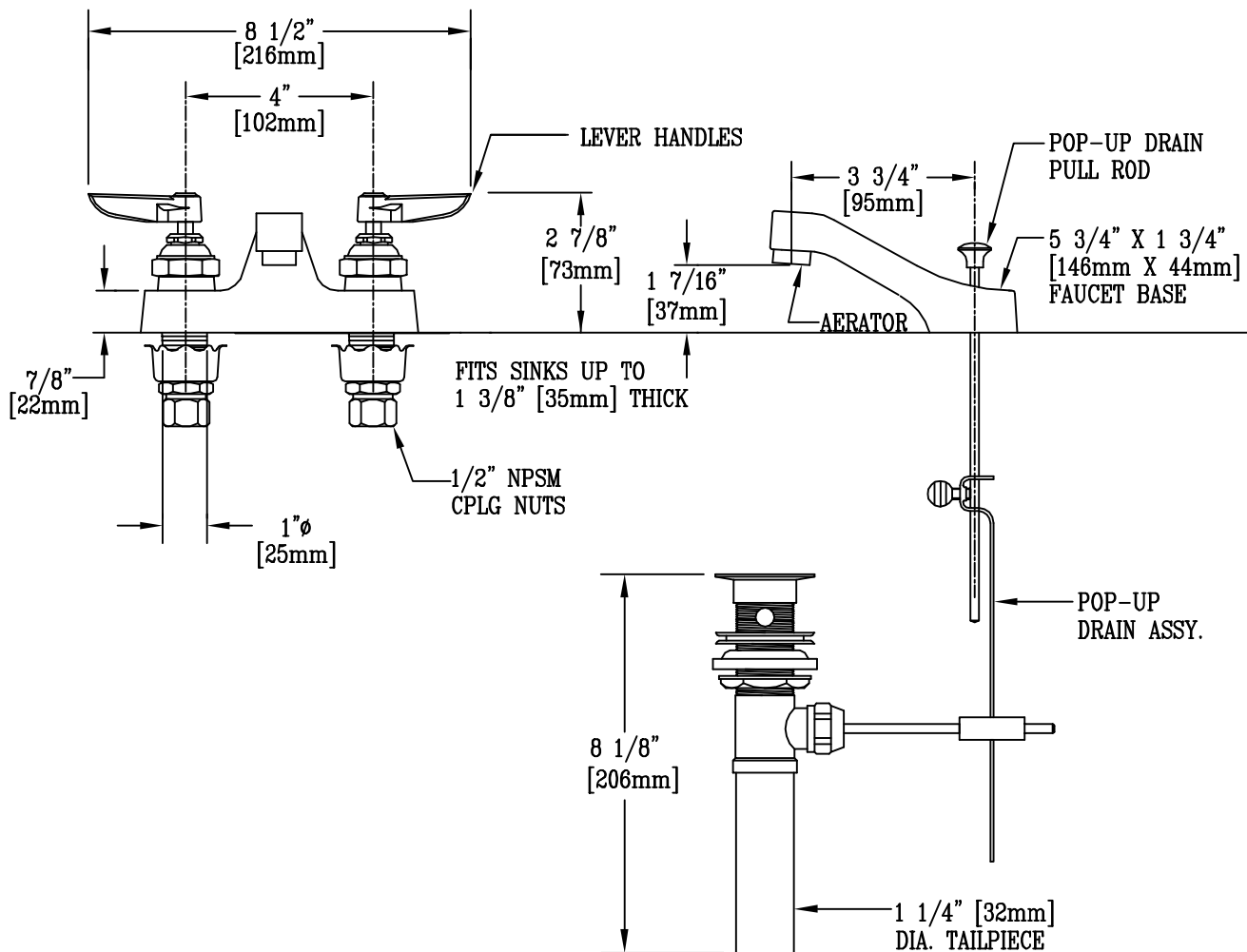
B-0870

Item No.:

Job Name:

Architect/Engineer Approval:

Notes:



NSF STANDARD 61, SECTION 9 CERTIFIED

Product Description:
CENTERSET COMMERCIAL MIXING FAUCET
WITH POP-UP DRAIN, AERATOR OUTLET, LEVER
HANDLES AND 1/2" NPSM COUPLING NUTS

Drawn:

TEH

Checked

WJS

Scale:

3" = 1'

Approved

MVW

Date:

2/10/03