

T&S BRASS AND BRONZE WORKS, INC.
 2 SADDLEBACK COVE / P.O. BOX 1088 / TRAVELERS REST, SC 29690
 PHONE 800-476-4103 - FAX 864- 834-3518



Model No.

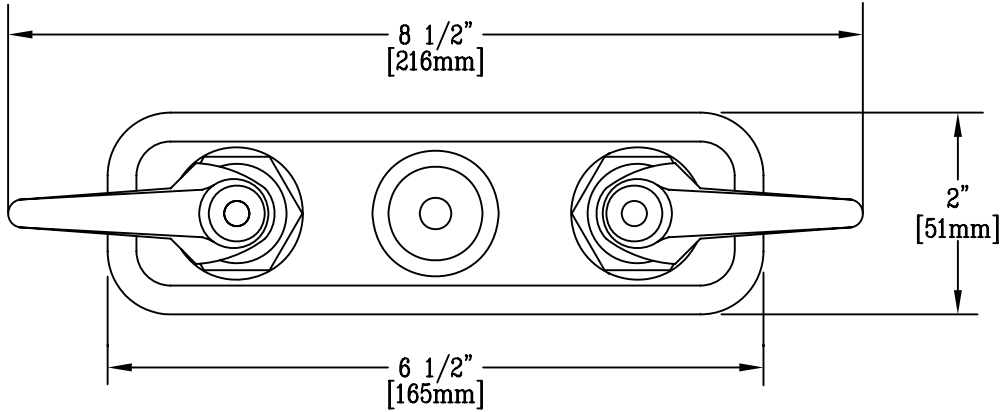
B-1110-XS-LN

**RELIABILITY
BUILT IN**

Job Name:

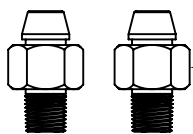
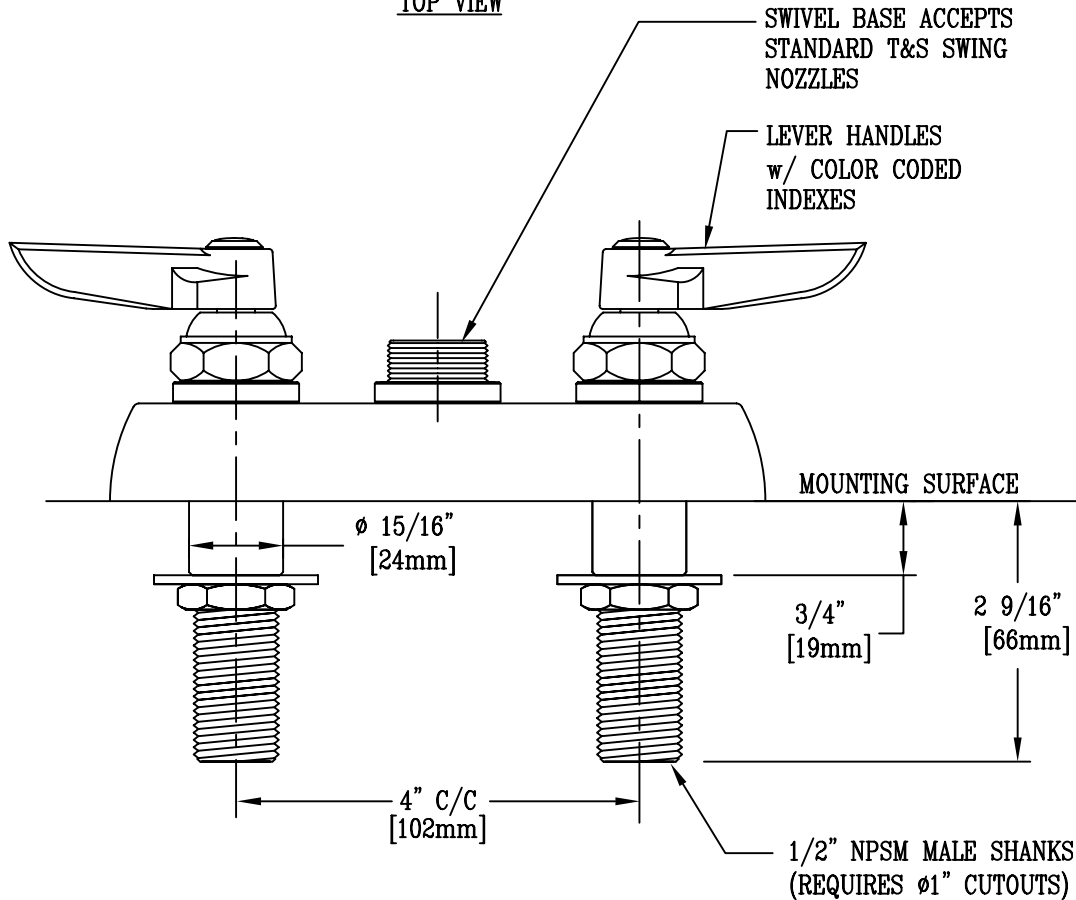
Architect/Engineer Approval:

Notes:



ADA Compliant

TOP VIEW



150A Tailpiece and Nut
Furnished for 1/4" NPT
Connection

Product Description:
 WORKBOARD FAUCET w/ 1/2" NPSM MALE EXTENDED SHANKS,
 4" INLET CENTERS, B-PT STREAM REGULATOR,
 LEVER HANDLES & COLOR CODED INDEXES

Drawn:

KJG

Checked

JRM

Scale:

Approved

JHB

Date:

12/19/07