



T&S BRASS AND BRONZE WORKS, INC.

2 Saddleback Cove / P.O. Box 1088
Travelers Rest, SC 29690



REG. #A2601
ISO #9001

Model No.
B-1141

Item No.

Travelers Rest, SC: 800-476-4103 Simi Valley, CA: 800-423-0150 Fax: 864-834-3518 www.tsbrass.com

This Space for Architect/Engineer Approval

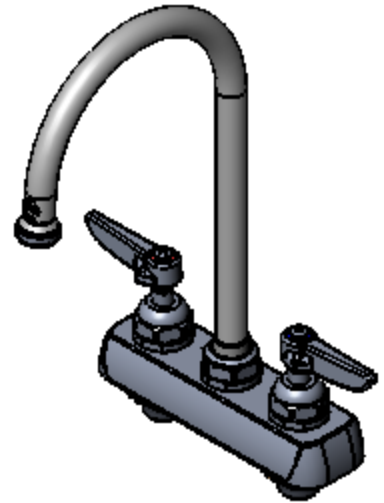
Job Name _____ Date _____

Model Specified _____ Quantity _____

Customer/Wholesaler _____

Contractor _____

Architect/Engineer _____

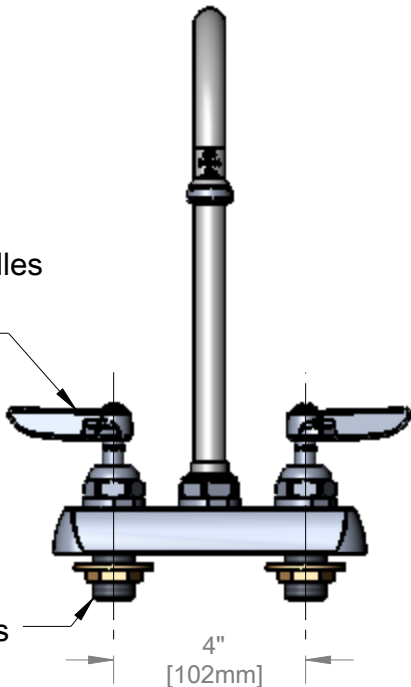


Variations or Applicable Options:

- WH6 6" Wrist Action Handles
- WH4 4" Wrist Action Handles
- 175F 4-Arm Kitchen Handles

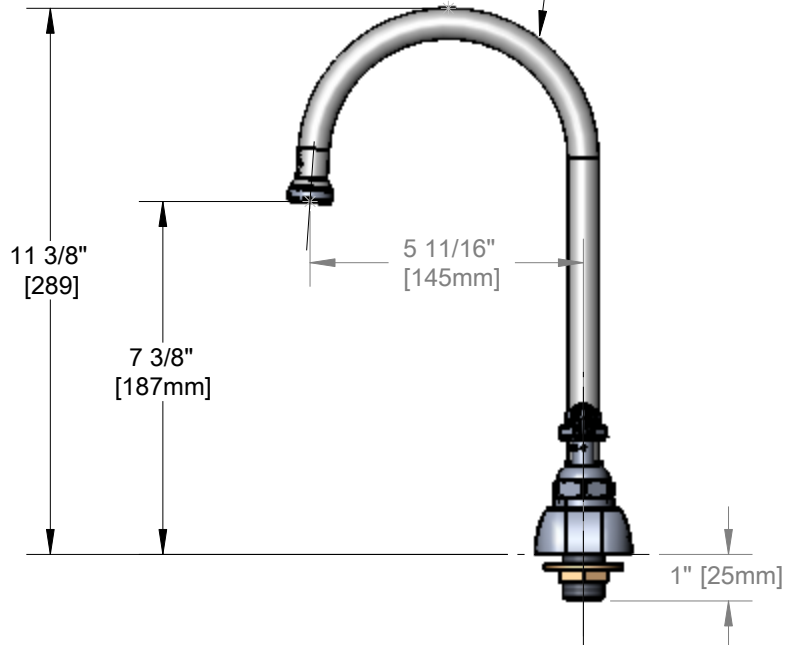
Lever Handles
w/ Colored
Indexes

1/2" NPT
Male Shanks



4"
[102mm]

Swing Nozzle
w/ Stream
Regulator



11 3/8"
[289]

7 3/8"
[187mm]

5 11/16"
[145mm]

1" [25mm]

Product Specifications:

4" c/c Deck Mount Workboard Mixing Faucet,
1/2" NPT Male Inlet Shanks, Lever Handles,
& 133X Swivel Gooseneck Asm

Drawn
WJS

Checked
JRM

Approved
JHB

Scale:

1:4

Date:

10/19/06



T&S BRASS AND BRONZE WORKS, INC.

2 Saddleback Cove / P.O. Box 1088
Travelers Rest, SC 29690



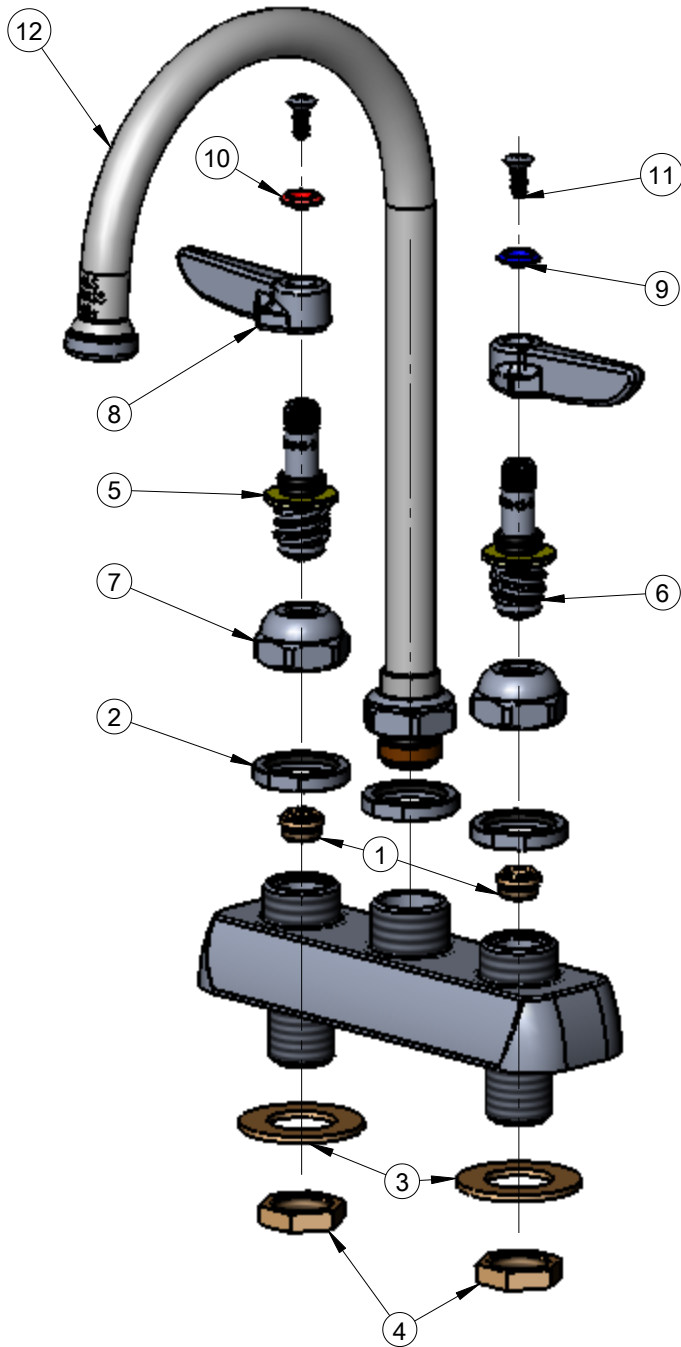
REG. #A2601
ISO #9001

Model No.

B-1141

Item No.

Travelers Rest, SC: 800-476-4103 Simi Valley, CA: 800-423-0150 Fax: 864-834-3518 www.tsbrass.com



ITEM	PART NO.	DESCRIPTION
1	000763-20	Seat
2	000712-25	Escutcheon Lock Nut
3	007361-45	Brass Lock Washer
4	002954-45	Shank Lock Nut
5	009753-25	B-1100 RH Spindle Asm
6	009754-25	B-1100 LH Spindle Asm
7	009749-25	Bonnet Nut
8	177F	Lever Handle
9	001660-45	Blue Index-CW
10	001661-45	Red Index-HW
11	000922-45	Lever Handle Screw
12	133X	133X Swivel Gooseneck

Product Specifications:

4" c/c Deck Mount Workboard Mixing Faucet,
1/2" NPT Male Inlet Shanks, Lever Handles,
& 133X Swivel Gooseneck Asm

Drawn WJS	Checked JRM	Approved JHB
Scale: 1:2.5		Date: 10/19/06