



T&S BRASS AND BRONZE WORKS, INC.

2 Saddleback Cove / P.O. Box 1088
Travelers Rest, SC 29690



REG. #A2601
ISO #9001

Model No.

B-1146-01

Item No.

Travelers Rest, SC: 800-476-4103 Simi Valley, CA: 800-423-0150 Fax: 864-834-3518 www.tsbrass.com

This Space for Architect/Engineer Approval

Job Name _____ Date _____

Model Specified _____ Quantity _____

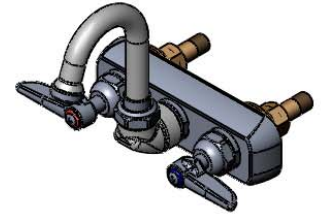
Customer/Wholesaler _____

Contractor _____

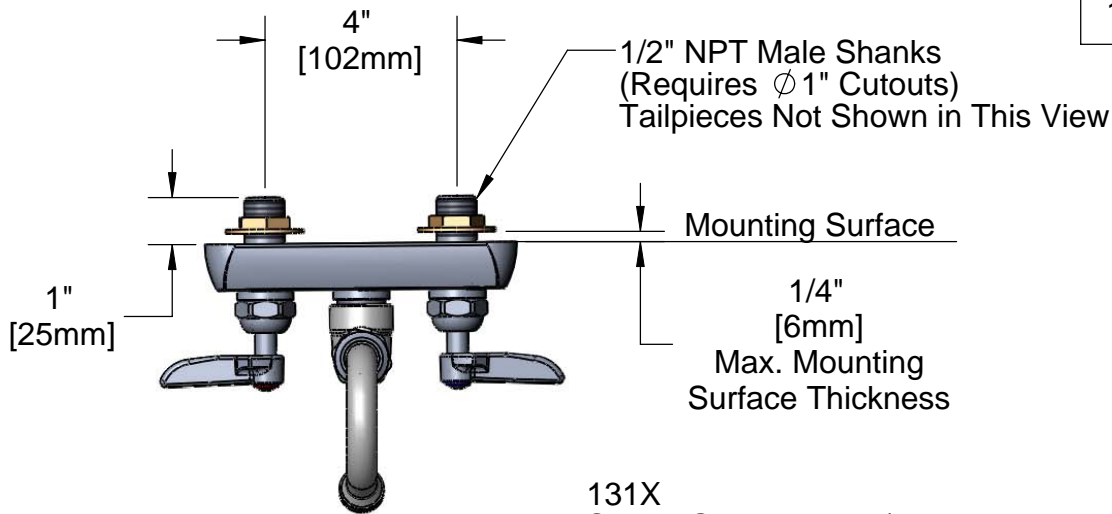
Architect/Engineer _____



ADA Compliant

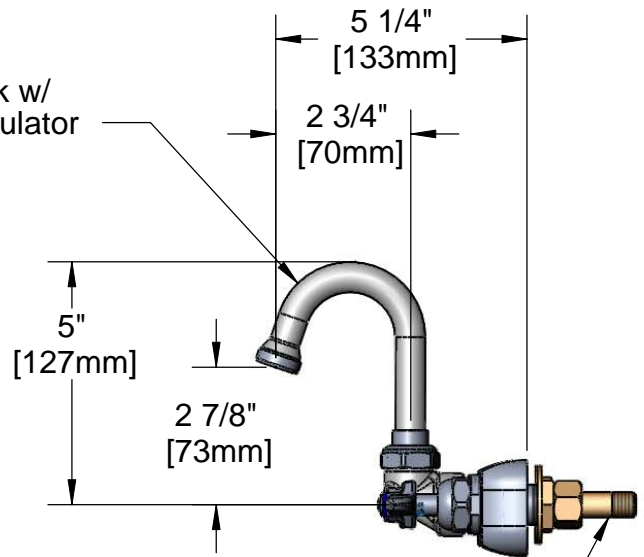
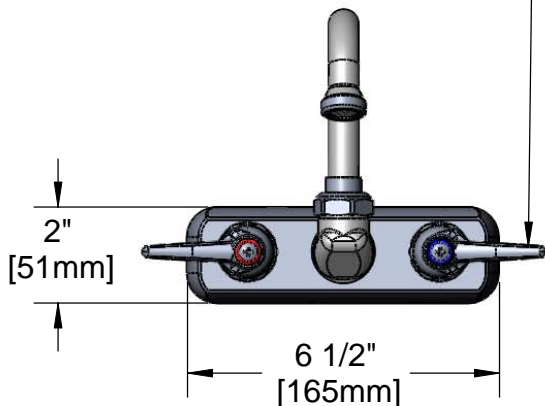


B-1100-K Elbow Kit Sold Separately. Contains (2) 1/2" NPT Male 90° Elbows.



131X Swivel Gooseneck w/ B-PT Stream Regulator

Lever Handles w/ Color Coded Indexes



150A Tailpiece and Nut Furnished for 1/4" NPT Connection

Product Specifications:

Wall Mount Workboard Faucet w/ 1/2" NPT Male Shanks, 131X Swivel Gooseneck Assembly, B-PT Stream Regulator & Lever Handles & 4" Inlet Centers

Drawn KJG	Checked DHL	Approved JHB
Scale: 1:4		Date: 08/13/08



T&S BRASS AND BRONZE WORKS, INC.

2 Saddleback Cove / P.O. Box 1088
Travelers Rest, SC 29690



REG. #A2601
ISO #9001

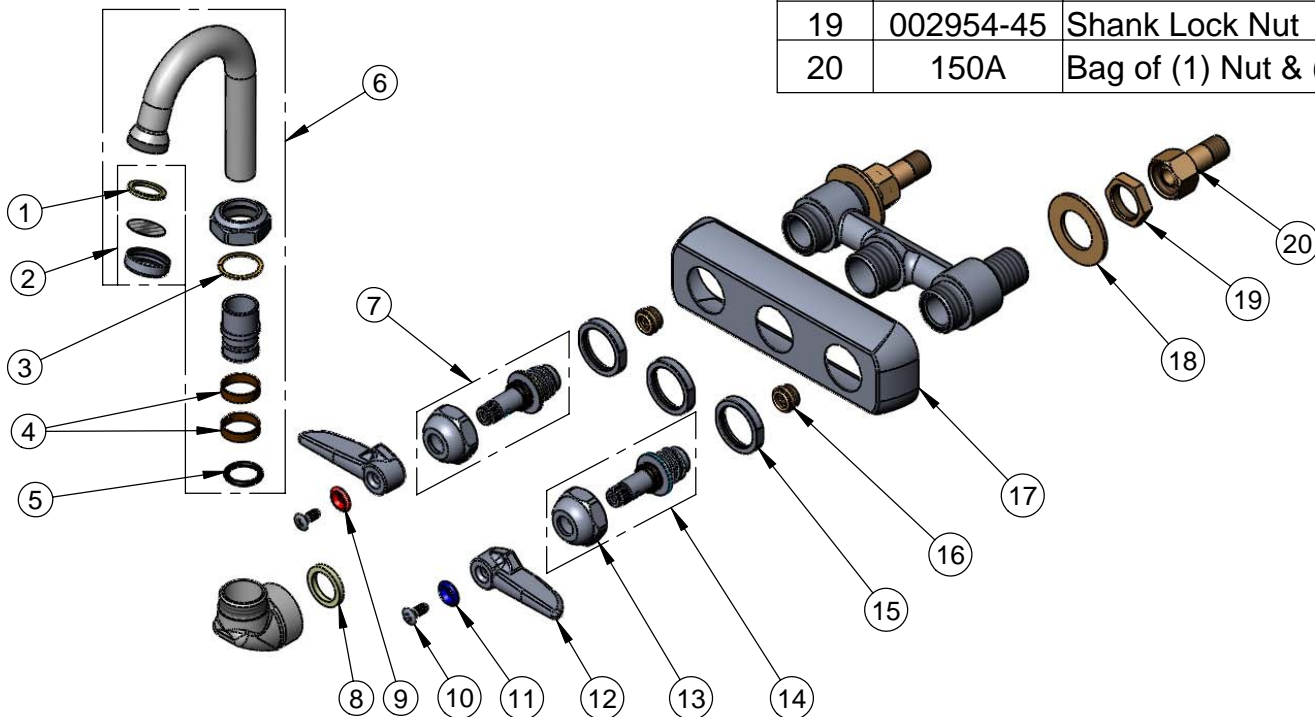
Model No.

B-1146-01

Item No.

Travelers Rest, SC: 800-476-4103 Simi Valley, CA: 800-423-0150 Fax: 864-834-3518 www.tsbrass.com

ITEM NO.	SALES NO.	DESCRIPTION
1	001048-45	Nozzle Tip Washer
2	B-PT	Stream Regulator
3	009538-45	Swivel Washer
4	011429-45	Swivel Sleeves (2)
5	001074-45	O-Ring
6	131X	Swivel Gooseneck Assembly
7	009753-25	B-1100 RH Spindle Assembly
8	001017-45	Washer
9	001661-45	Red Index-HW
10	000922-45	Lever Handle Screw
11	001660-45	Blue Index-CW
12	001638-45	Lever Handle
13	009749-25	Bonnet Nut
14	009754-25	B-1100 LH Spindle Assembly
15	000712-25	Escutcheon Lock Nut
16	000763-20	Seat
17	001258-40	Escutcheon
18	000999-45	Brass Lock Washer
19	002954-45	Shank Lock Nut
20	150A	Bag of (1) Nut & (1) Tailpiece



Product Specifications:

Wall Mount Workboard Faucet w/ 1/2" NPT Male Shanks,
131X Swivel Gooseneck Assembly, B-PT Stream Regulator
& Lever Handles & 4" Inlet Centers

Drawn KJG	Checked DHL	Approved JHB
Scale: NTS		Date: 08/13/08