



T&S BRASS AND BRONZE WORKS, INC.
 2 SADDLEBACK COVE / P.O. BOX 1088 / TRAVELERS REST, SC 29690
 PHONE 800-476-4103 - FAX 864- 834-3518



Model No.

B-1160

**RELIABILITY
 BUILT IN**

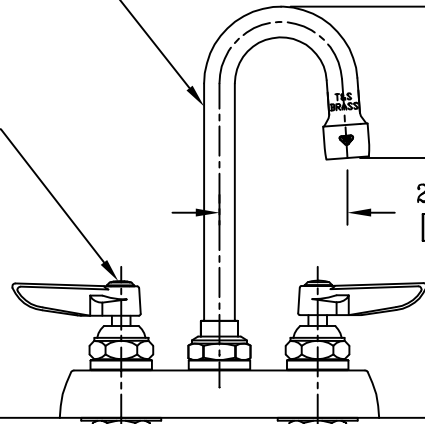
Job Name:

Architect/Engineer Approval:

Notes:

360° Swivel
 Gooseneck w/ 2.2
 GPM Aerator

Hot & Cold Indexed
 Lever Handles



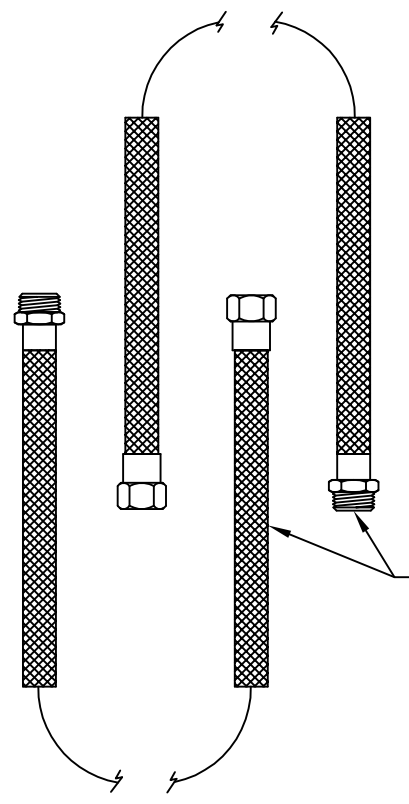
2 5/8"
 [66mm]

5 5/16"
 [134mm]

8 3/8"
 [213mm]

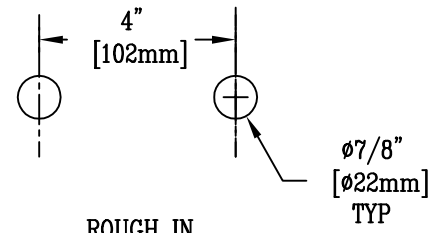
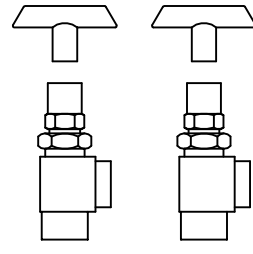
1/2" NPT Male Shanks

4"
 [102mm]



Furnished w/ (2) 013121-45
 36" Long Flexible Supply
 Hoses. 1/2" NPT Male x 1/2"
 NPSM Female

Furnished w/ (2)
 B-0418 Supply Stops 1/2"
 NPT Female Inlet.



ROUGH IN

Product Description:
 4" c/c Deck Mount Mixing Faucet w/ 1/2" NPT Male Shanks,
 Lever Handles, Swivel Gooseneck w/ 2.2 GPM Aerator,
 Overall Height= 8 3/8", Supply Stops & Hoses

Drawn: WJS	Checked JRM	Scale: 1 : 4
Approved JHB	Date: 04/26/06	