



T&S BRASS AND BRONZE WORKS, INC.

2 SADDLEBACK COVE / P.O. BOX 1088 / TRAVELERS REST, SC 29690

PHONE 800-476-4103

FAX 864-834-3518



REG. #A2601
ISO #9002

Model No.

B-1871

Item No.:

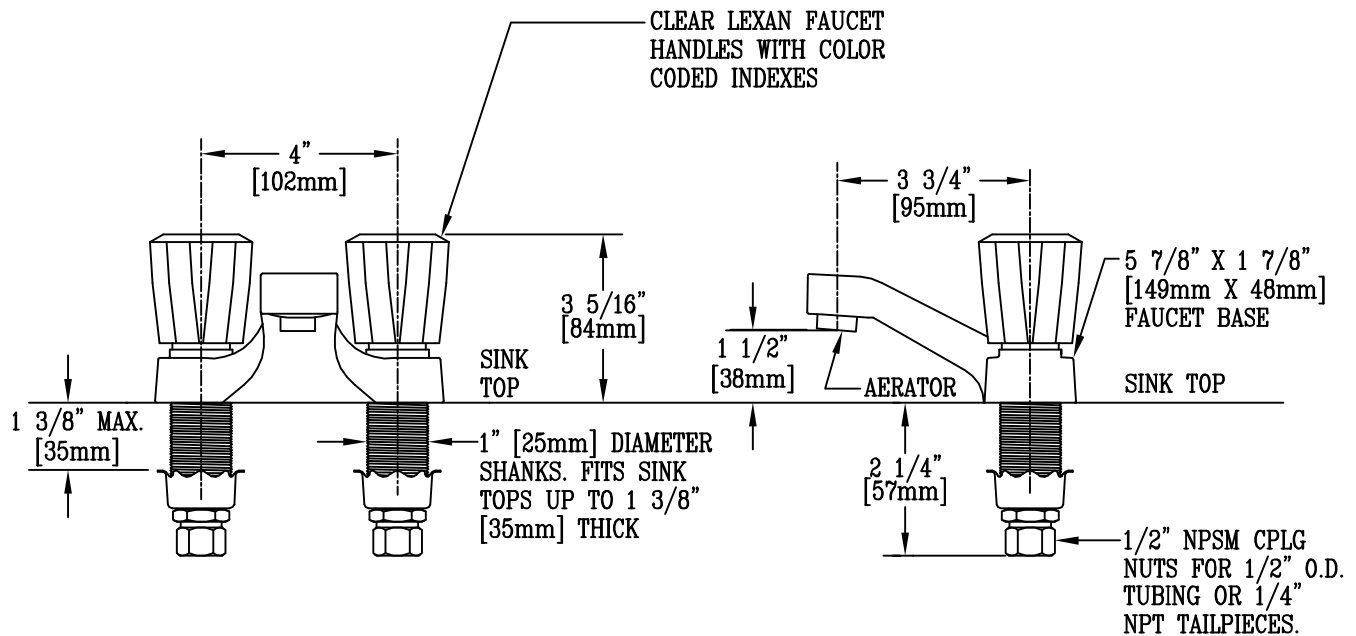
Job Name:

Architect/Engineer Approval:

Notes:



ADA COMPLIANT



NSF STANDARD 61, SECTION 9 CERTIFIED

Product Description:

CENTERSET COMMERCIAL MIXING FAUCET
ON 4" INLET CENTERS WITH
CLEAR LEXAN HANDLES

Drawn:

DMA

Approved

CA

Checked

WJS

Scale:

3" = 1'

Date:

9/12/96