



T&S BRASS AND BRONZE WORKS, INC.
 2 SADDLEBACK COVE / P.O. BOX 1088 / TRAVELERS REST, SC 29690
 PHONE 800-476-4103 - FAX 864- 834-3518



Model No.

B-2147

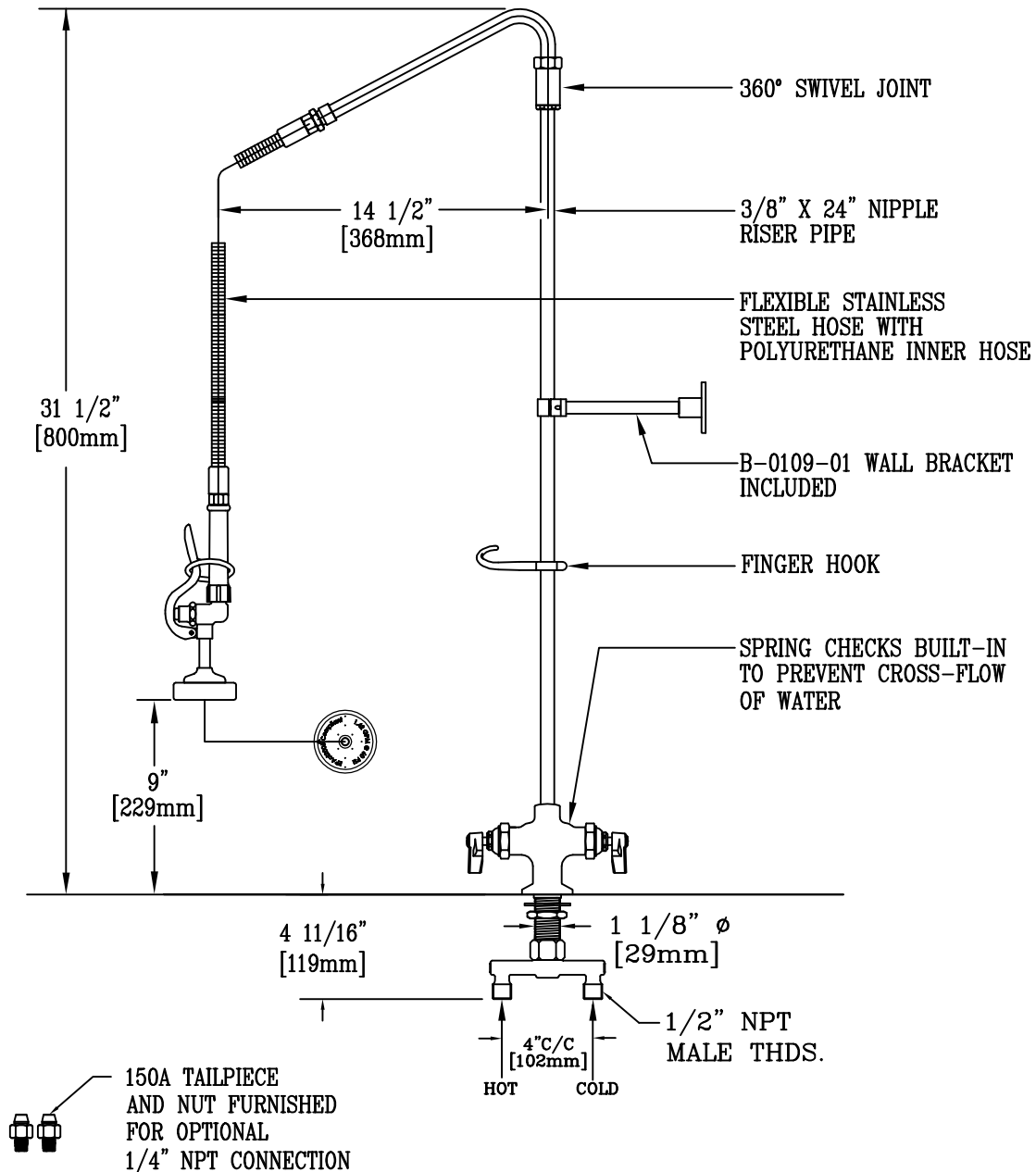
**RELIABILITY
 BUILT IN**

Job Name:

Architect/Engineer Approval:

Notes:

EPAct2005 COMPLIANT



Product Description:
 PRE RINSE UNIT WITH 4" c/c SPREADER ASM,
 1/2" NPT MALE INLETS, ELEVATED SWIVEL JOINT,
 FLEX HOSE & B-0107 SPRAY VALVE

Drawn:

RJK

Approved

JHB

Checked

JRM

Scale:

1 : 8

Date:

01-04-06