



T&S BRASS AND BRONZE WORKS, INC.
 2 SADDLEBACK COVE / P.O. BOX 1088 / TRAVELERS REST, SC 29690
 PHONE 800-476-4103 - FAX 864- 834-3518



Model No.

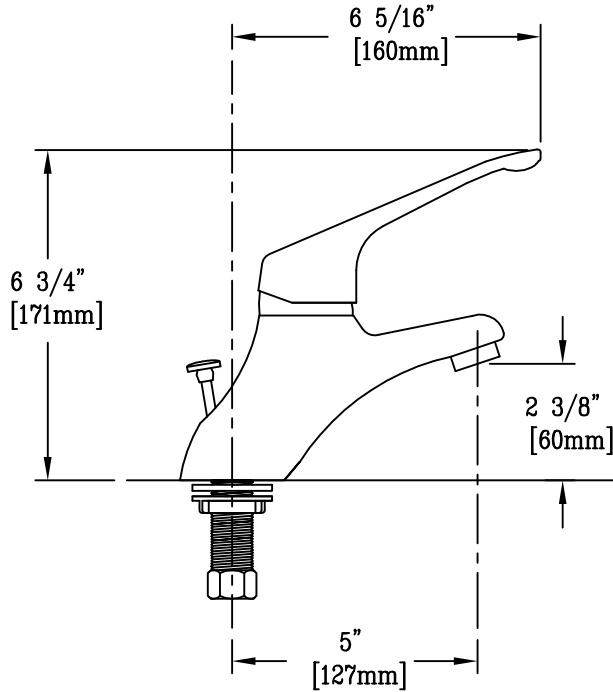
B-2710-LH

**RELIABILITY
 BUILT IN**

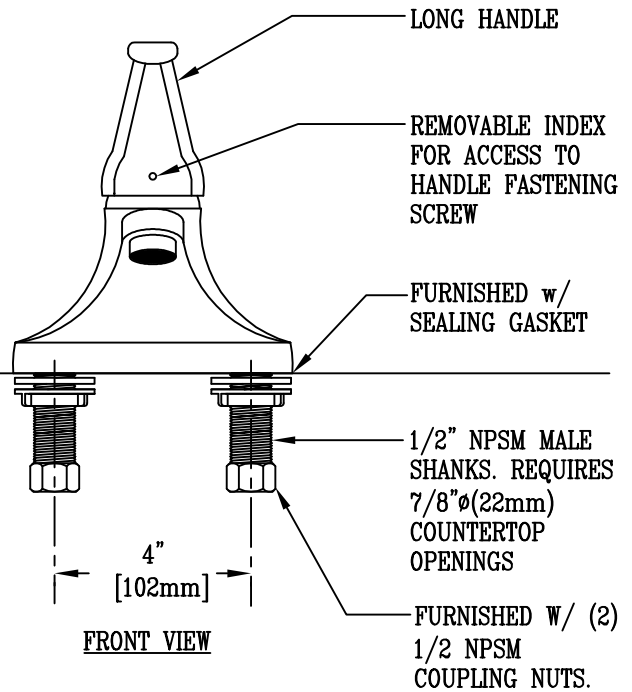
Job Name:

Architect/Engineer Approval:

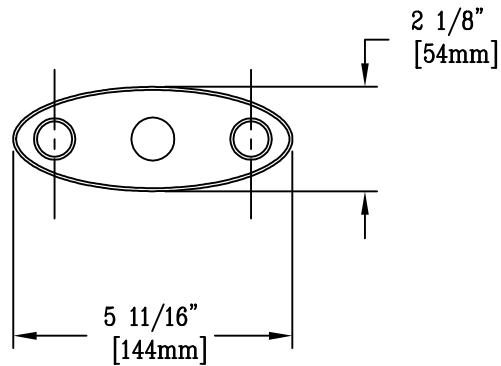
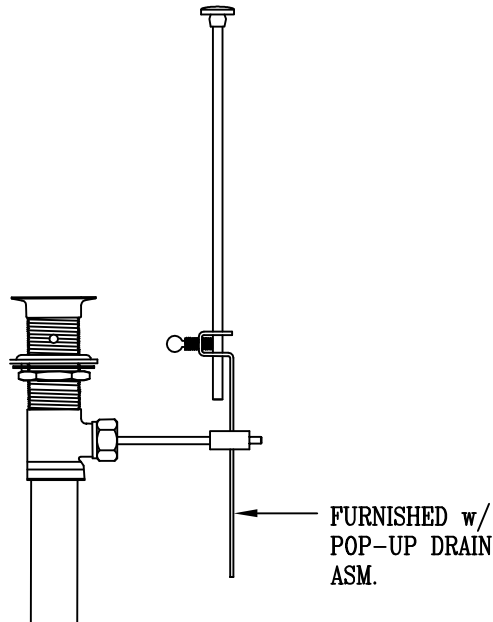
Notes:



SIDE VIEW



FRONT VIEW



BOTTOM VIEW

CONTAINS TEMPERATURE LIMIT ADJUSTMENT. REMOVE HANDLE w/ HEX KEY TO ACCESS, AND REPOSITION STOP TO THE LEFT or RIGHT OF ORIGINAL POSITION FOR LOWER or HIGHER MAXIMUM TEMPERATURE

Product Description:

B-2710 SINGLE LEVER FAUCET w/ LONG HANDLE ACCESSORY AND CERAMIC CARTRIDGE

Drawn:

WJS

Approved

MVW

Checked

LEL

Scale:

1 : 4

Date:

12/16/04