



T&S BRASS AND BRONZE WORKS, INC.

2 SADDLEBACK COVE / P.O. BOX 1088 / TRAVELERS REST, SC 29690

PHONE 800-476-4103

FAX 864-834-3518



Model No.

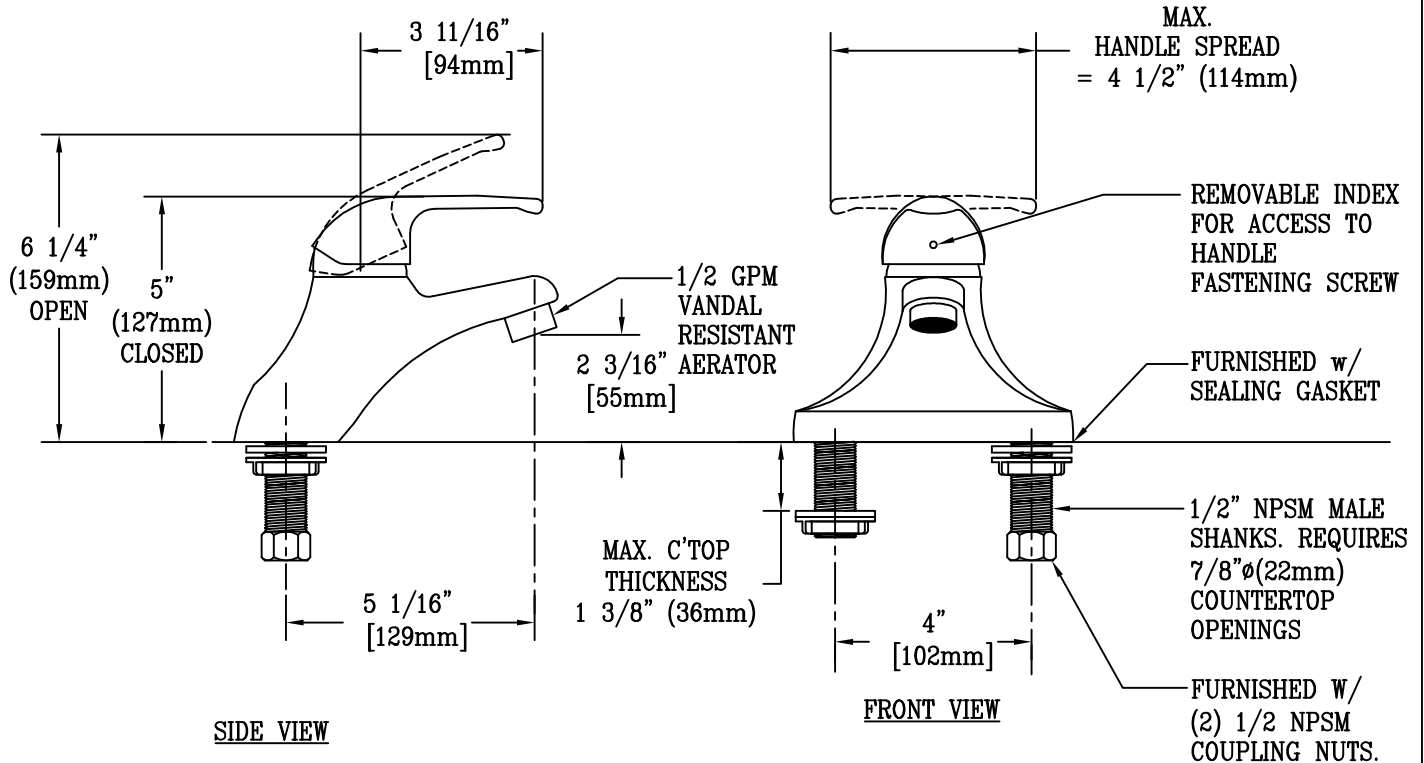
B-2711-F05

Item No.:

Job Name:

Architect/Engineer Approval:

Notes:



SIDE VIEW

FRONT VIEW

BOTTOM VIEW

CONTAINS TEMPERATURE LIMIT ADJUSTMENT. REMOVE HANDLE w/ HEX KEY TO ACCESS, AND REPOSITION STOP TO THE LEFT or RIGHT OF ORIGINAL POSITION FOR LOWER or HIGHER MAXIMUM TEMPERATURE

Product Description:
 4" CENTERSET SINGLE LEVER FAUCET WITH
 1/2" NPSM MALE INLET SHANKS, VANDAL RESISTANT FLOW CONTROL
 AERATOR, TEMPERATURE LIMIT STOP, AND CERAMIC CARTRIDGE

Drawn: WJS	Checked LEL	Scale: 1:4
Approved MVW	Date: 12/16/04	