



T&S BRASS AND BRONZE WORKS, INC.

2 SADDLEBACK COVE / P.O. BOX 1088 / TRAVELERS REST, SC 29690

PHONE 800-476-4103

FAX 864-834-3518



REG.#A2601
ISO #9002

Model No.

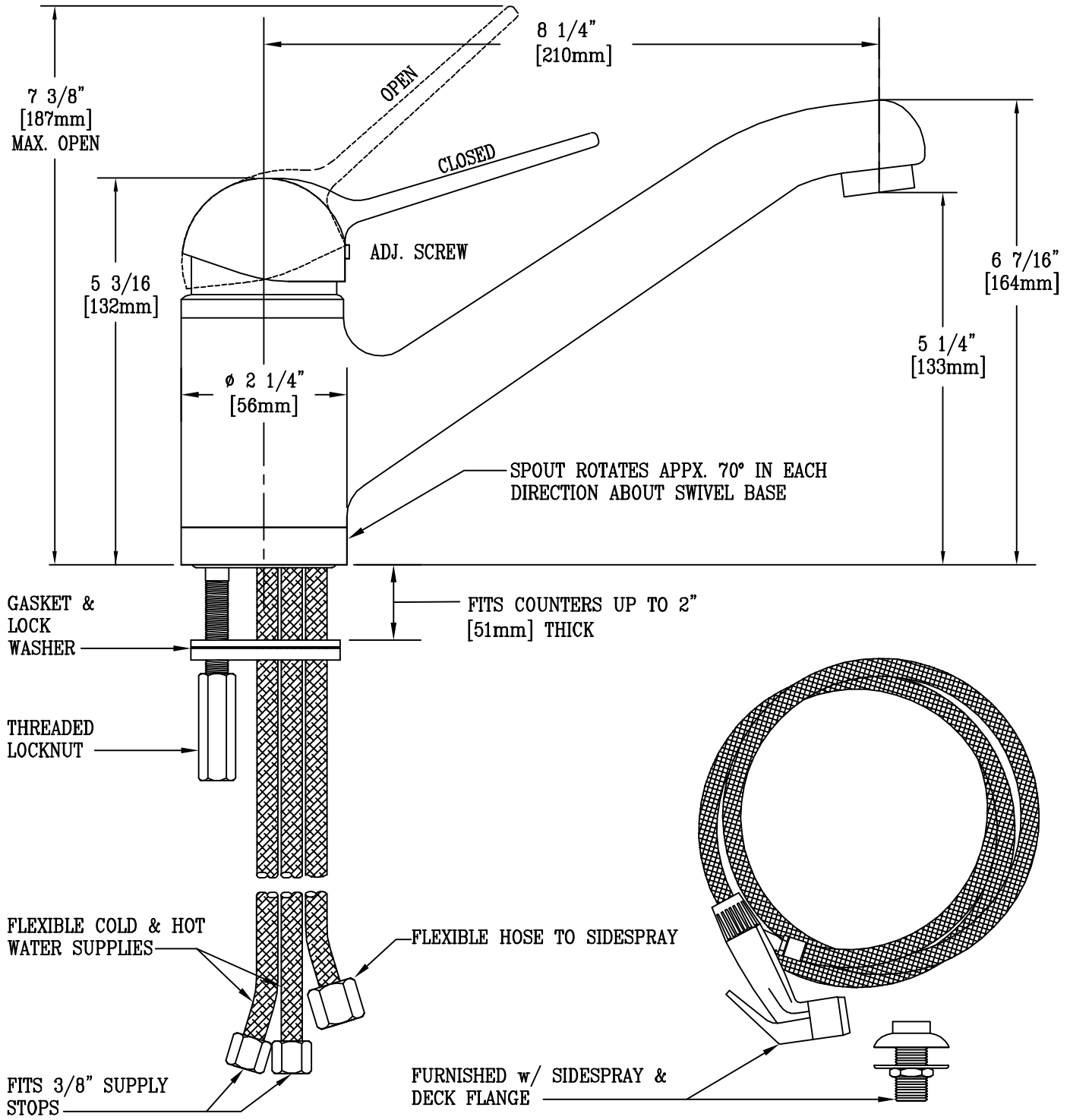
B-2720-S

Item No.:

Job Name:

Architect/Engineer Approval:

Notes:



Product Description:
SINGLE LEVER LINE:
LONG SPOUT, SWIVEL BASE, FLEXIBLE SUPPLIES,
SIDESPRAY WITH FLEXIBLE HOSE, AND CERAMIC CARTRIDGE

Drawn:

WJS

Checked

JKD

Scale:

1 : 2

Approved

MVW

Date:

04/01/02