

T&S BRASS AND BRONZE WORKS, INC.
 2 SADDLEBACK COVE / P.O. BOX 1088 / TRAVELERS REST, SC 29690
 PHONE 800-476-4103 FAX 864- 834-3518



Model No.

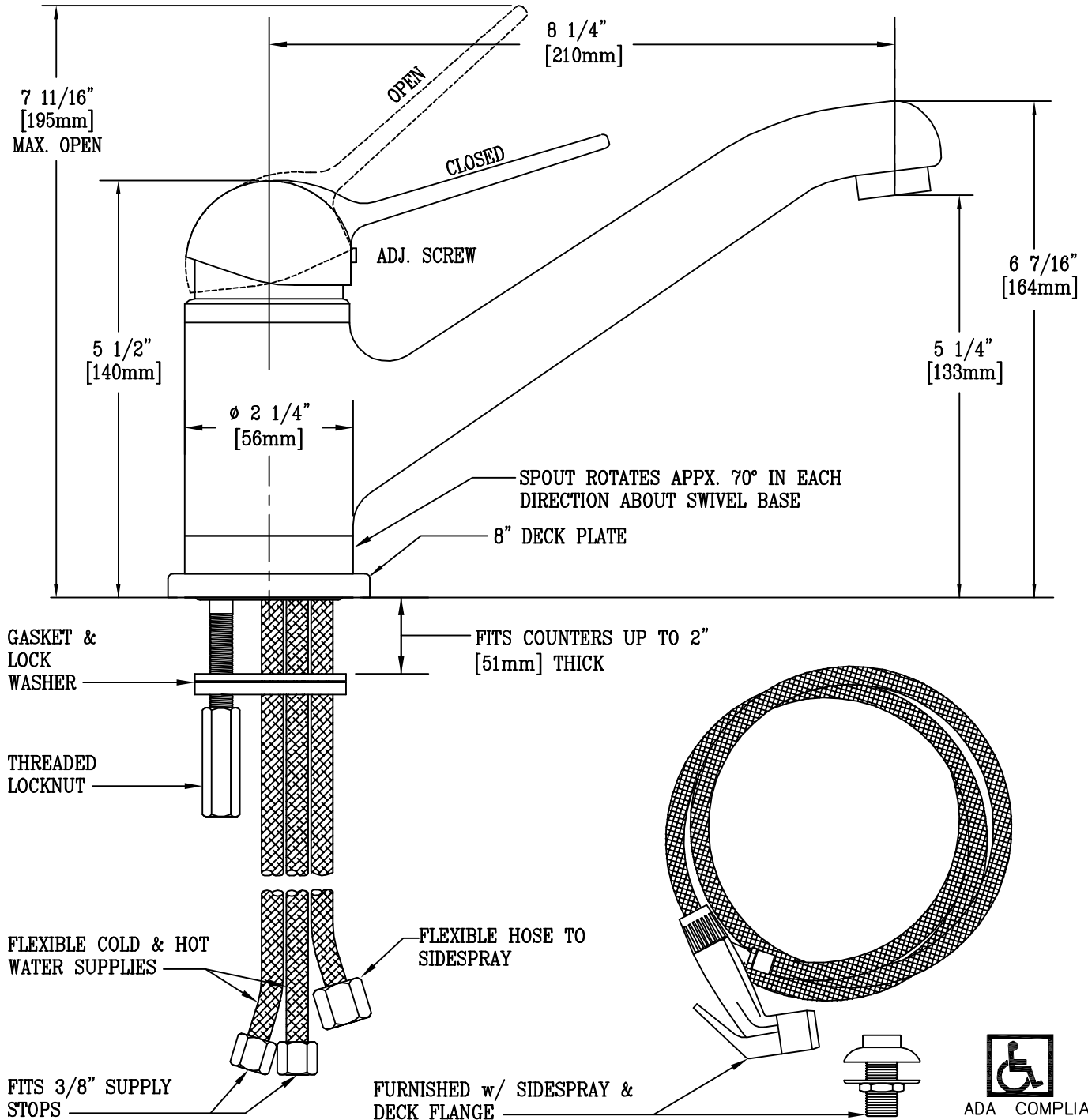
B-2721-S

Item No.:

Job Name:

Architect/Engineer Approval:

Notes:



Product Description:
 SINGLE LEVER LINE:
 LONG SPOUT, SWIVEL BASE, FLEXIBLE SUPPLIES,
 W/ 8" DECKPLATE, & SIDESPRAY, AND CERAMIC CARTRIDGE

Drawn:

WJS

Checked

JKD

Scale:

1 : 2

Approved

MVW

Date:

04/01/02