



T&S BRASS AND BRONZE WORKS, INC.

2 SADDLEBACK COVE / P.O. BOX 1088 / TRAVELERS REST, SC 29690

PHONE 800-476-4103

FAX 864-834-3518



Model No.

B-2730

Item No.:

Job Name:

Architect/Engineer Approval:

Notes:

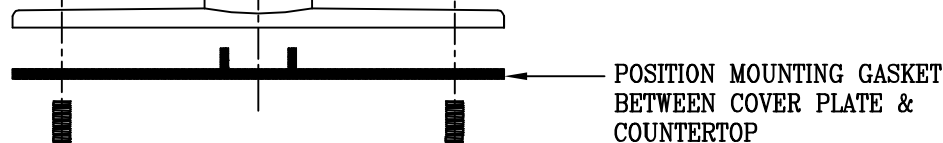
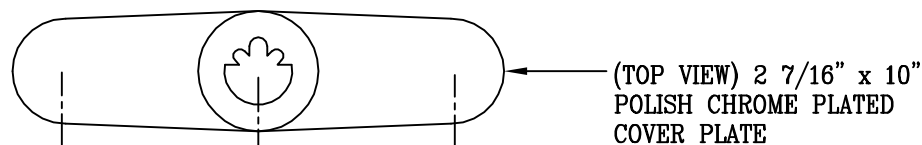
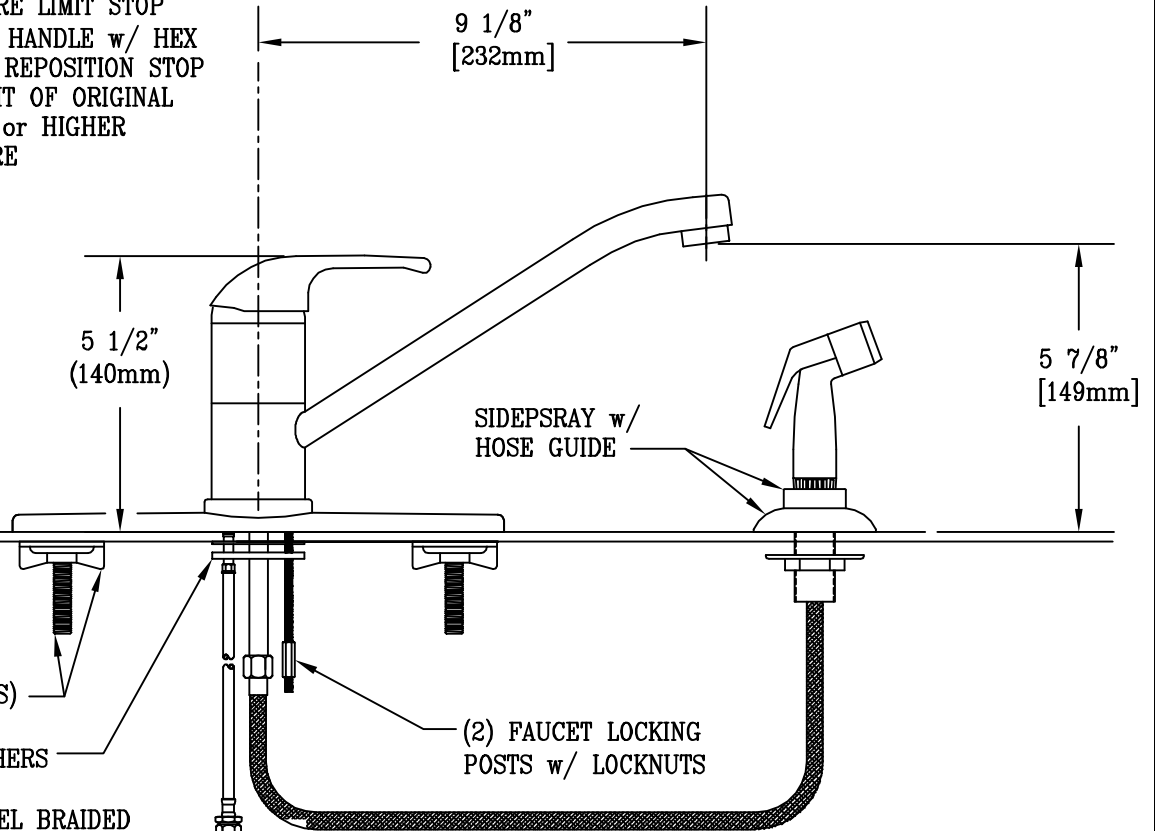
CONTAINS TEMPERATURE LIMIT STOP ADJUSTMENT. REMOVE HANDLE w/ HEX KEY TO ACCESS, AND REPOSITION STOP TO THE LEFT or RIGHT OF ORIGINAL POSITION FOR LOWER or HIGHER MAXIMUM TEMPERATURE

NOTE: CARTRIDGE CONTAINS FEATURES THAT PREVENT BACK-SIPHONAGE OF CONTAMINATED WATER INTO THE POTABLE WATER SUPPLY

COVER PLATE LOCKING POSTS AND LOCKNUTS (IN FINISHED POSITIONS)

FCT. BODY LOCK WASHERS

(2) 16" LONG ST. STEEL BRAIDED FLEXIBLE SUPPLY HOSES w/ 3/8" NPSM COMPRESSION FITTINGS



SCREW COVER PLATE LOCKING POSTS INTO UNDERSIDE OF COVER PLATE

LOCKNUTS

8" [203mm]



ADA COMPLIANT

Product Description:

SINGLE LEVER LINE:

9" SPOUT, SWIVEL BASE, FLEXIBLE SUPPLIES, 10" DECKPLATE, SIDESPRAY, TEMPERATURE LIMIT STOP, AND CERAMIC CARTRIDGE

Drawn:

WJS

Checked

TEH

Scale:

1 : 2

Approved

M/VW

Date:

04/01/02