



**T&S BRASS AND BRONZE WORKS, INC.**  
 2 SADDLEBACK COVE / P.O. BOX 1088 / TRAVELERS REST, SC 29690  
 PHONE 800-476-4103 FAX 864-834-3518



Model No.

B-2731-LH

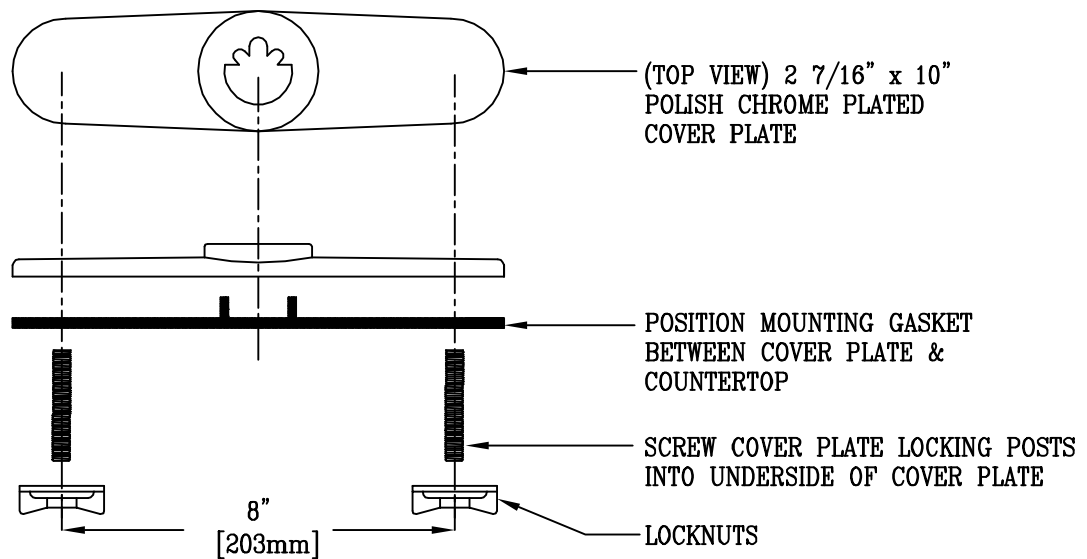
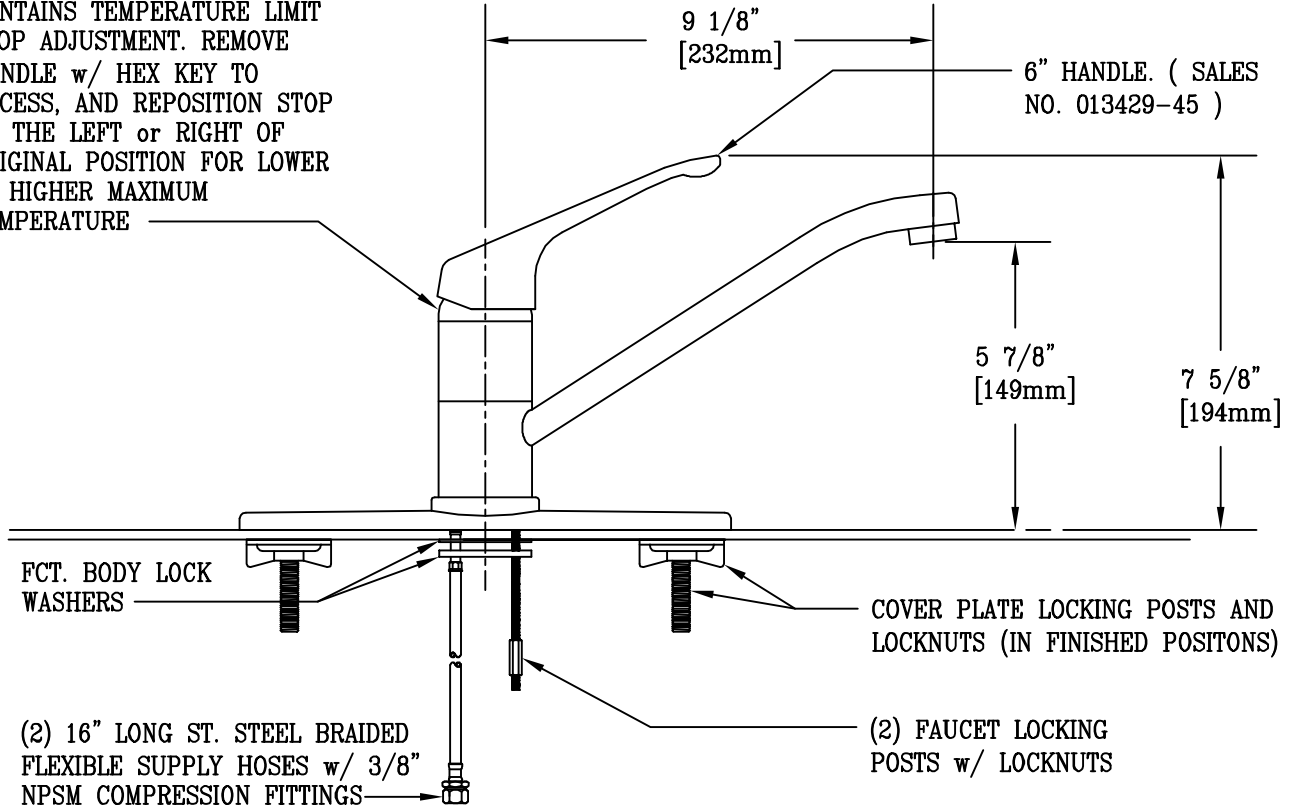
Item No.:

Job Name:

Architect/Engineer Approval:

Notes:

CONTAINS TEMPERATURE LIMIT STOP ADJUSTMENT. REMOVE HANDLE w/ HEX KEY TO ACCESS, AND REPOSITION STOP TO THE LEFT or RIGHT OF ORIGINAL POSITION FOR LOWER or HIGHER MAXIMUM TEMPERATURE



ADA COMPLIANT

Product Description:

SINGLE LEVER LINE:

9" SPOUT, SWIVEL BASE, FLEXIBLE SUPPLIES,  
 10" DECKPLATE, TEMPERATURE LIMIT STOP, 6" HANDLE , AND CERAMIC CARTRIDGE

Drawn:

WJS

Checked

JKD

Scale:

1 : 2

Approved

MVW

Date:

04/01/02