



T&S BRASS AND BRONZE WORKS, INC.

2 SADDLEBACK COVE / P.O. BOX 1088 / TRAVELERS REST, SC 29690

PHONE 800-476-4103

FAX 864- 834-3518



REG.#A2601
ISO #9002

Model No.

B-2744-01

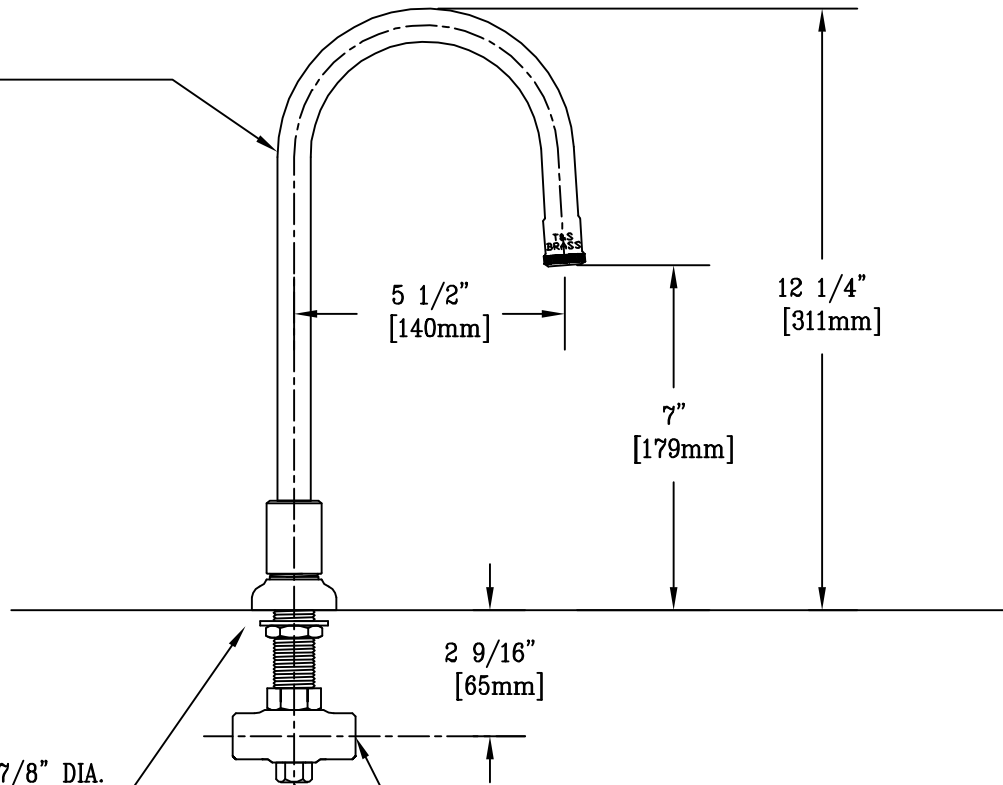
Item No.:

Job Name:

Architect/Engineer Approval:

Notes:

RIGID GOOSENECK
w/ B-LT STREAM
REGULATOR



SHANK REQUIRES 7/8" DIA.
CUTOUT HOLE

1/4" NPT FEMALE (ONE SIDE ONLY)

1/8-27 NPT FEMALE
FOR SIDESPRAY

Product Description:

RIGID GOOSENECK WITH DIVERTER
AND STREAM REGULATOR

Drawn:

TEH

Approved

JKD

Checked

JKD

Scale:

3" = 1'

Date:

10/18/02