



T&S BRASS AND BRONZE WORKS, INC.

2 SADDLEBACK COVE / P.O. BOX 1088 / TRAVELERS REST, SC 29690

PHONE 800-476-4103

FAX 864-834-3518



REG. #A2601
ISO #9002

Model No.

B-2990-SFWH4

Item No.:

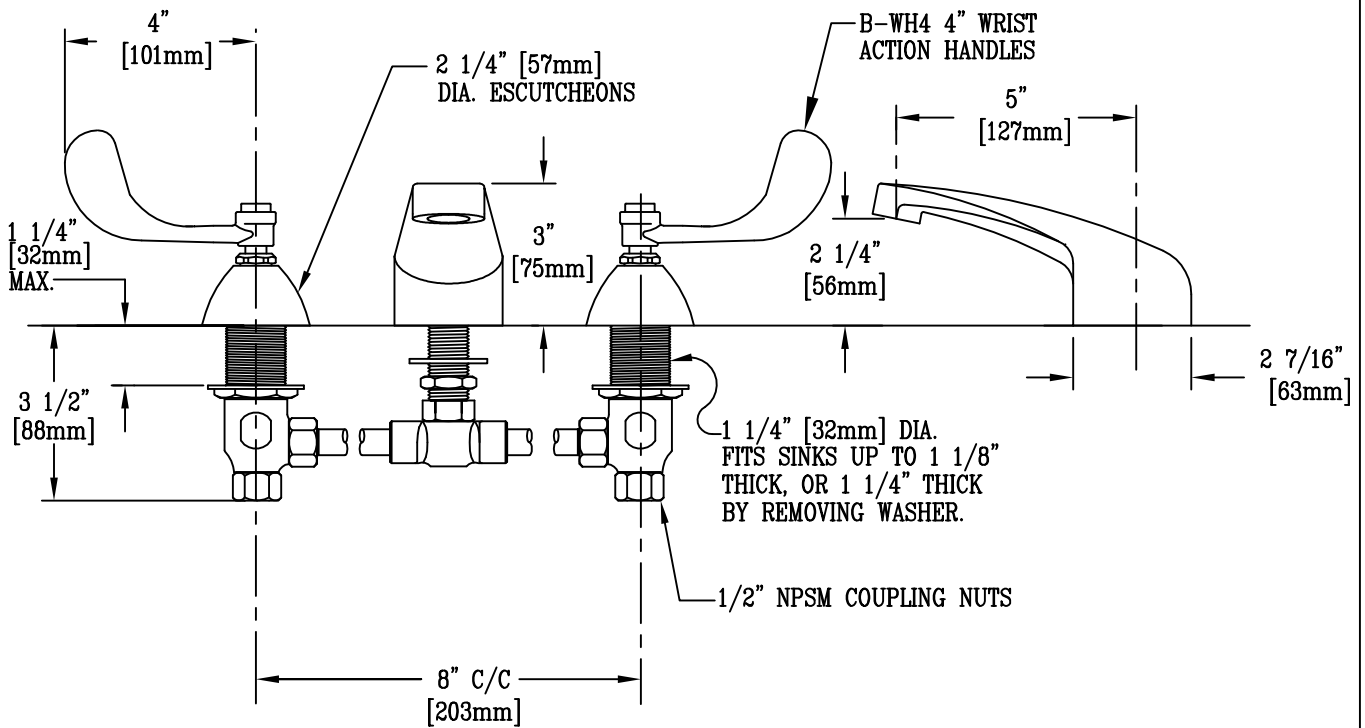
Job Name:

Architect/Engineer Approval:

Notes:



ADA COMPLIANT



NOTE: ROUGH-IN REQUIRED:
 $\phi 7/8$ FOR CENTER SHANK
 $\phi 1 1/4$ FOR HOT/COLD SIDE BODIES

NSF STANDARD 61, SECTION 9 CERTIFIED

Product Description:
 DECK MOUNTED COMMERCIAL FAUCET WITH
 WRIST ACTION HANDLES, CAST SPOUT WITH DRIP PROOF
 SPRAY FACE & 8" INLET CENTERS

Drawn:

TEH

Approved

MVW

Checked

LEL

Scale:

1 : 4

Date:

1/25/05