



T&S BRASS AND BRONZE WORKS, INC.

2 Saddleback Cove / P.O. Box 1088
Travelers Rest, SC 29690



REG. #A2601
ISO #9001

Model No.
B-2991-FSC

Item No.

Travelers Rest, SC: 800-476-4103 Simi Valley, CA: 800-423-0150 Fax: 864-834-3518 www.tsbrass.com

This Space for Architect/Engineer Approval

Job Name _____ Date _____

Model Specified _____ Quantity _____

Customer/Wholesaler _____

Contractor _____

Architect/Engineer _____

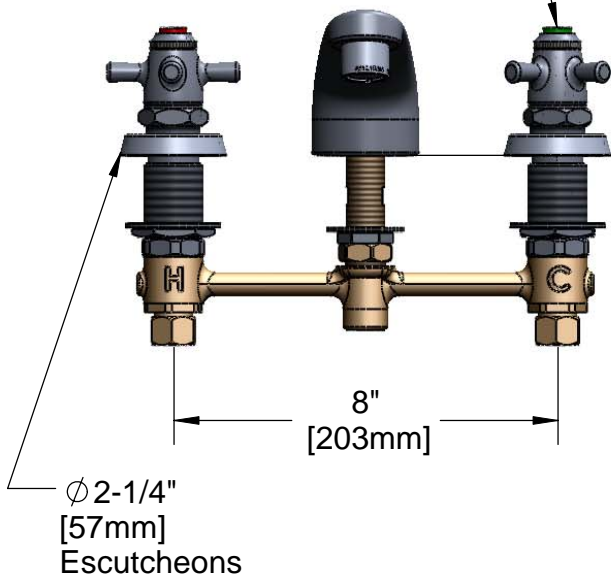


ADA Compliant

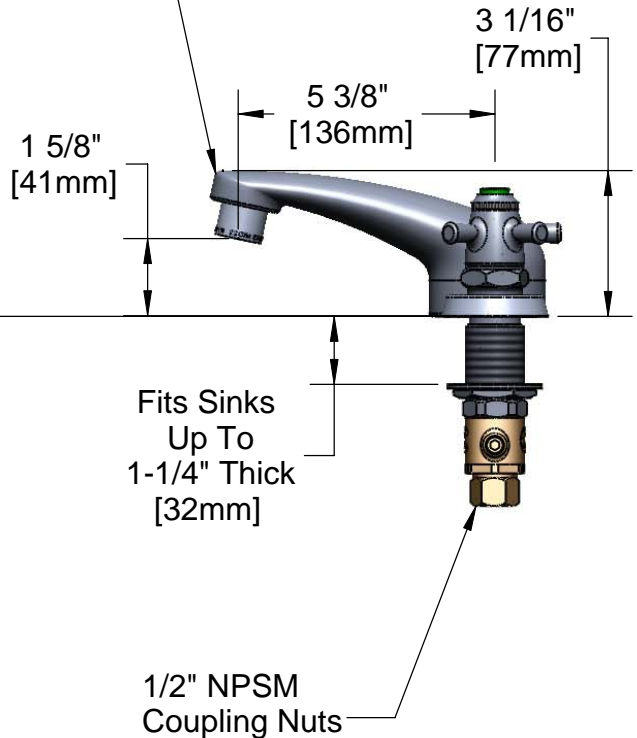


Self-Closing Assembly w/
w/ Color-Coded Snap-In Indexes
& Vandal Resistant

Lavatory Spout
w/ B-0199-08 VR
2.2 GPM Aerator



Mounting Surface



Note: Rough-In Required:

∅ 1" [25mm] for Center Shank

∅ 1-1/2" [38mm] for Hot/Cold Side [1-1/4" [32mm] Minimum]

Product Specifications:

EasyInstall CWS Faucet, Fast Self-Closing Assembly, Cast Spout w/ Vandal Resistant Aerator & 8" c/c Inlets

Drawn
JRM

Checked
GEF

Approved
JHB

Scale:

NTS

Date:

12/08/08



T&S BRASS AND BRONZE WORKS, INC.

2 Saddleback Cove / P.O. Box 1088
Travelers Rest, SC 29690



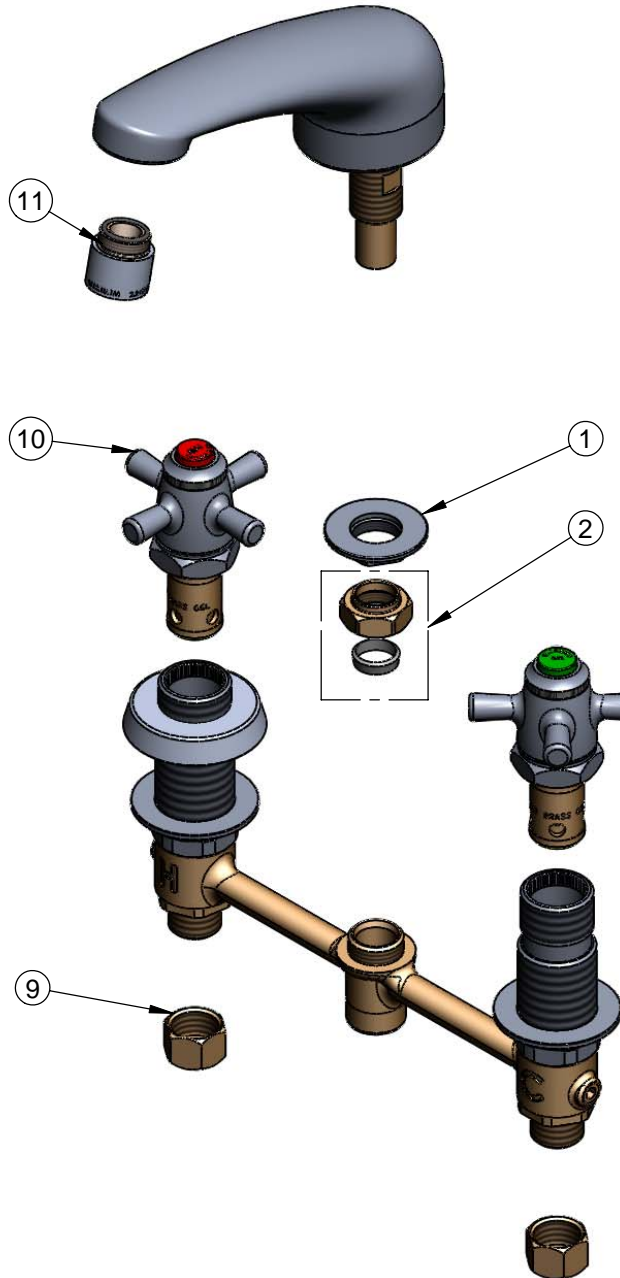
REG. #A2601
ISO #9001

Model No.

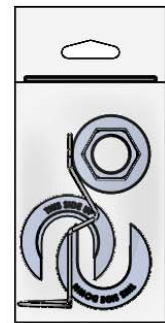
B-2991-FSC

Item No.

Travelers Rest, SC: 800-476-4103 Simi Valley, CA: 800-423-0150 Fax: 864-834-3518 www.tsbrass.com



ITEM NO.	SALES NO.	DESCRIPTION
1	016742-45	Center Flange Nut
2	016745-45	Compression Nut & Fitting
3	017292-45	Metering CWS Escutcheon
4	002875-40VR	Fast Self-Closing Assembly, Vandal Resistant w/ Cold Water Index
5	016749-45	Sidebody C-Washer
6	016777-45	CWS Hanger
7	011677-45	Loctite 680
8	Q015425-45	Vandal Resistant Key
9	000958-20	Coupling Nut
10	002876-40VR	Fast Self-Closing Assembly, Vandal Resistant w/ Hot Water Index
11	B-0199-08	2.2 GPM Female VR Aerator



017245-40
Installation Repair Kit
Includes #1, (2)#5, & #6

Product Specifications:

EasyInstall CWS Faucet, Fast Self-Closing Assembly, Cast Spout w/ Vandal Resistant Aerator & 8" c/c Inlets

Drawn JRM	Checked GEF	Approved JHB
Scale: NTS		Date: 12/08/08