

T&S BRASS AND BRONZE WORKS, INC.

2 SADDLEBACK COVE / P.O. BOX 1088 / TRAVELERS REST, SC 29690

PHONE 800-476-4103

FAX 864-834-3518



REG.#A2601
ISO #9002

Model No.

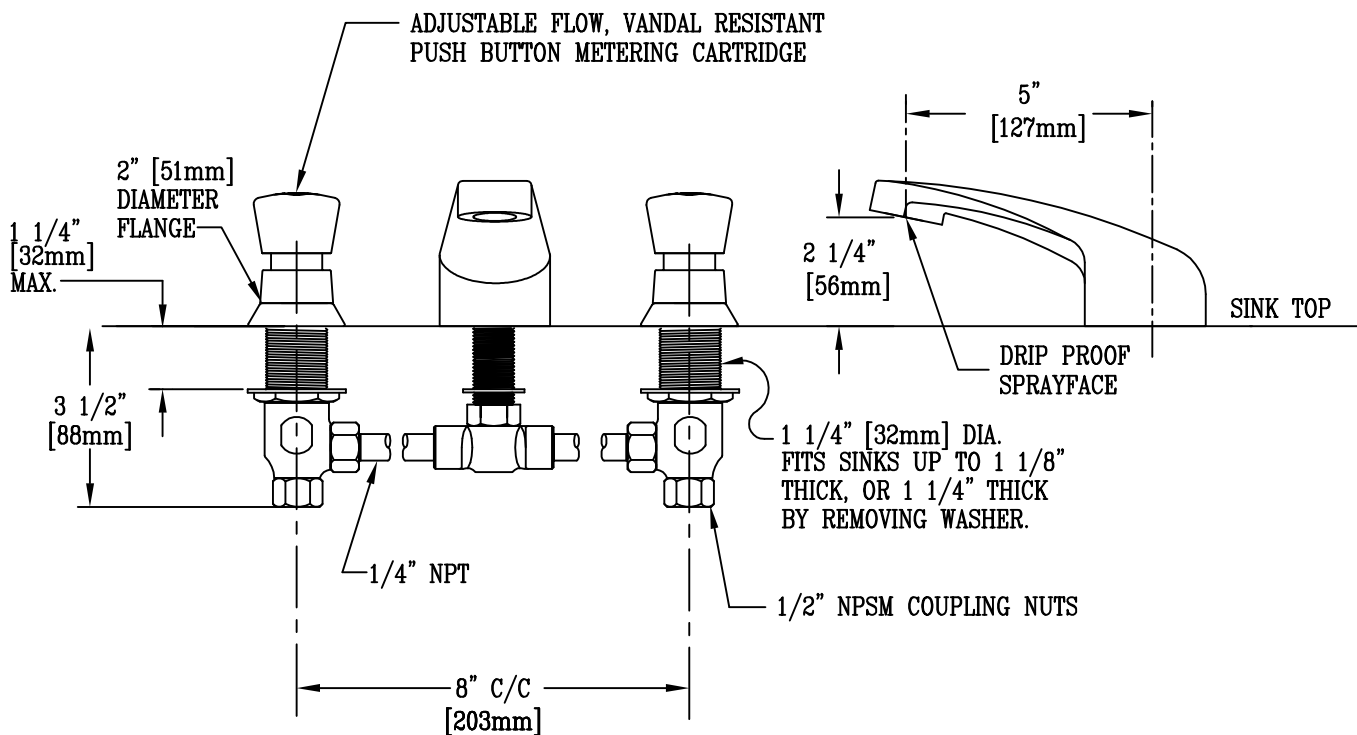
B-2991-SF

Item No.:

Job Name:

Architect/Engineer Approval:

Notes:



NOTE: ROUGH-IN REQUIRED:

ø7/8 FOR CENTER SHANK

ø1 1/4 FOR HOT/COLD SIDE BODIES

FURNISHED w/
SPANNER BIT



Product Description:

SELF-CLOSING COMMERCIAL FAUCET WITH
DRIP PROOF SPRAY FACE SPOUT,
& 8" INLET CENTERS

Drawn:

DHL

Approved

JHB

Checked

WJS

Scale:

1 : 4

Date:

12/7/05