



T&S BRASS AND BRONZE WORKS, INC.

2 SADDLEBACK COVE / P.O. BOX 1088 / TRAVELERS REST, SC 29690

PHONE 800-476-4103

FAX 864-834-3518



REG. #A2601
ISO #9002

Model No.

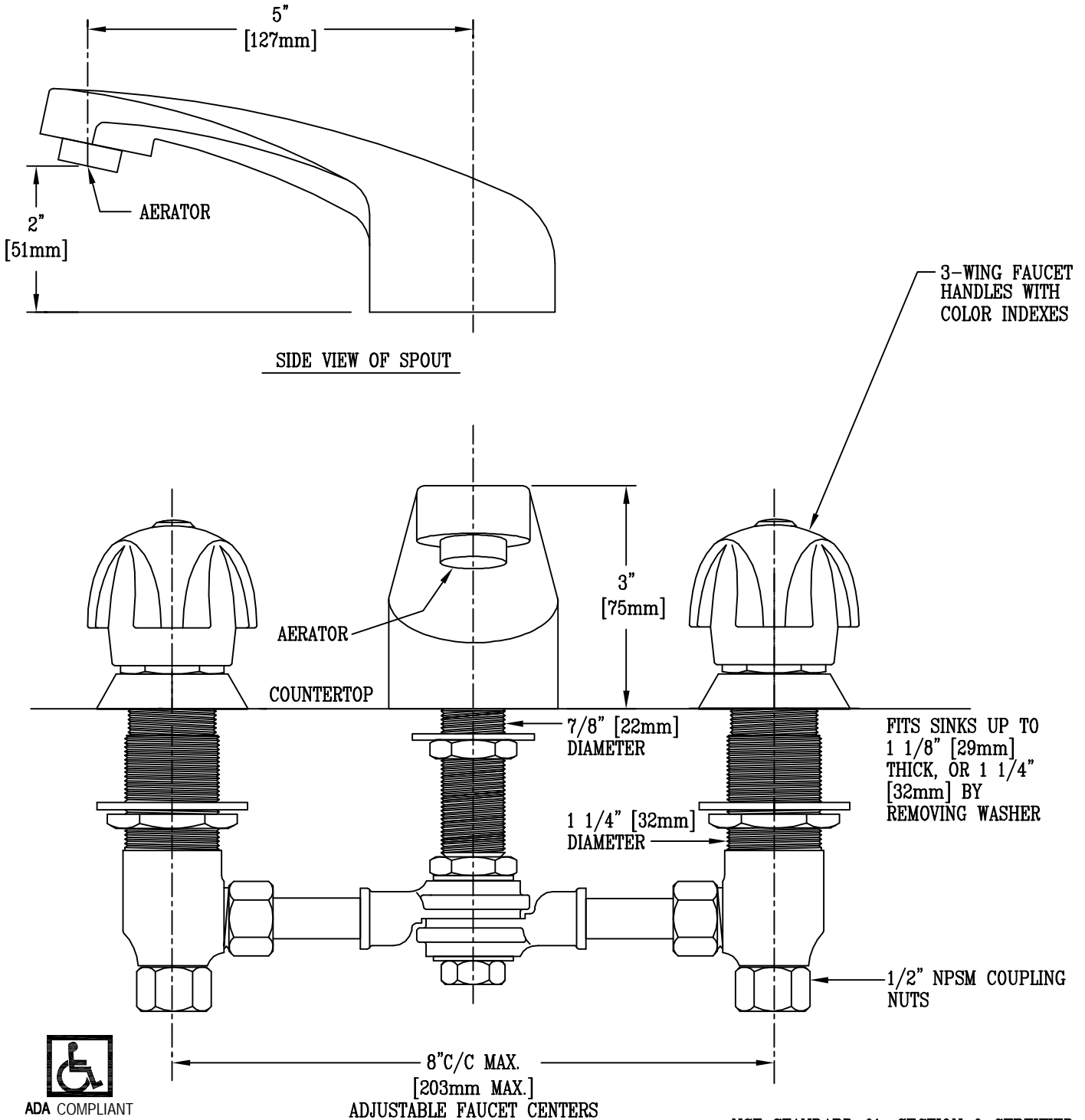
B-2992-180F

Item No.:

Job Name:

Architect/Engineer Approval:

Notes:



NSF STANDARD 61, SECTION 9 CERTIFIED

Product Description:
DECK MOUNTED MIXING FAUCET WITH
ADJUSTABLE INLET CENTERS, 3-WING HANDLES, AND
CAST SPOUT WITH AERATOR OUTLET

Drawn: JKD	Checked WJS	Scale: 6" = 1'
Approved MVW	Date: 9-21-01	