



T&S BRASS AND BRONZE WORKS, INC.

2 Saddleback Cove / P.O. Box 1088
Travelers Rest, SC 29690



REG. #A2601
ISO #9001

Model No.

B-3940-BSP

Item No.

Travelers Rest, SC: 800-476-4103 Simi Valley, CA: 800-423-0150 Fax: 864-834-3518 www.tsbrass.com

This Space for Architect/Engineer Approval

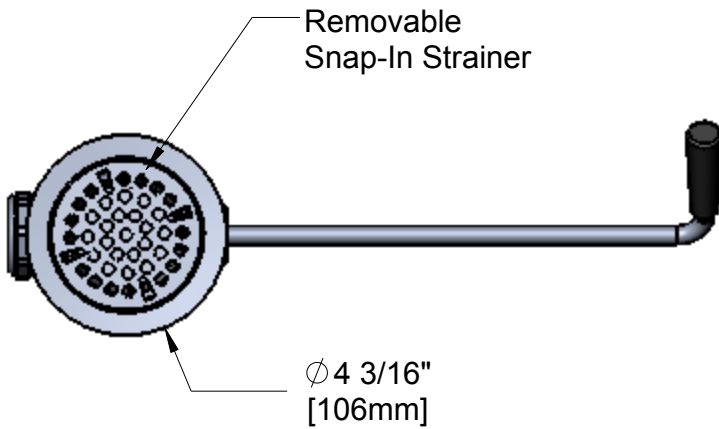
Job Name _____ Date _____

Model Specified _____ Quantity _____

Customer/Wholesaler _____

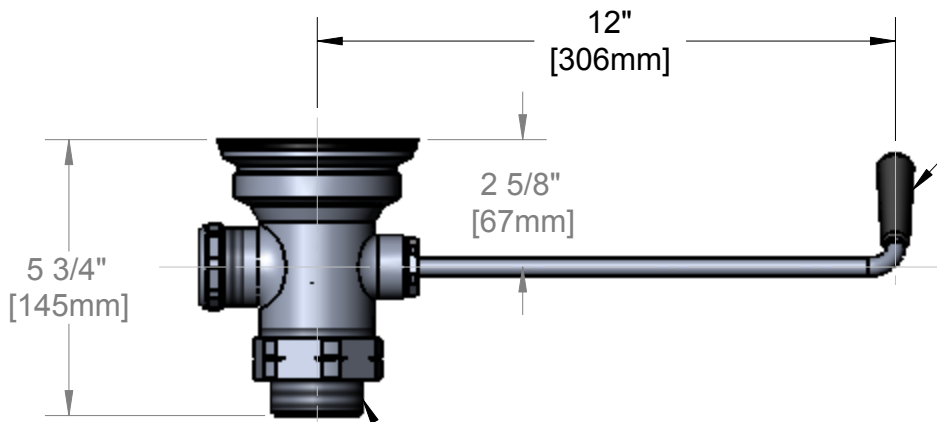
Contractor _____

Architect/Engineer _____



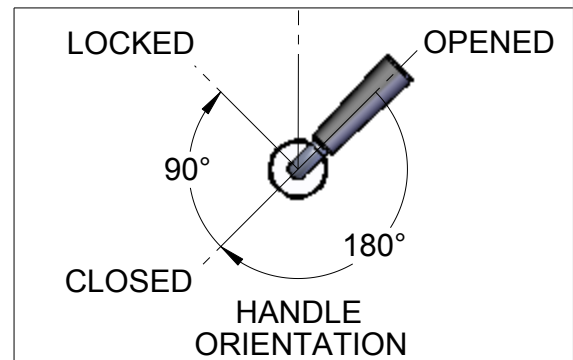
Removable
Snap-In Strainer

Ø 4 3/16"
[106mm]



Twist Handle w/
Heat Resistant
Plastic Grip (Shown
in Open Position)

Adapter Converts 2" NPT
Male to 1 1/2" BSP Male.
Remove Adapter When 2"
NPT Male Thread is Needed.



Product Specifications:

Rotary Waste Valve w/ Twist Handle, 3" Sink Opening,
2" NPT Male Outlet & 1 1/2" BSP Male Adapter

Drawn DHL	Checked WJS	Approved JHB
Scale: 1:4		Date: 12/01/06



T&S BRASS AND BRONZE WORKS, INC.

2 Saddleback Cove / P.O. Box 1088
Travelers Rest, SC 29690



REG. #A2601
ISO #9001

Model No.

B-3940-BSP

Item No.

Travelers Rest, SC: 800-476-4103 Simi Valley, CA: 800-423-0150 Fax: 864-834-3518 www.tsbrass.com

ITEM	SALE NO.	DESCRIPTION
1	010389-45	O-Ring, Plunger
2	010390-45	Ferrule, Coupling Nut
3	010391-45	Nut, Coupling For Twist Drain
4	015305-45	Gasket, 3" Face Flange
5	015306-45	Flange, 3" Face
6	015307-45	Strainer, 3" Snap-in
7	010388-45	Plunger, Twist Drain
8	010393-45	Handle Asm, Rotary Waste Valve Twist
9	B-3945-BSP	Adapter, 2" NPT Male x 1 1/2" BSP Male



Product Specifications:

Rotary Waste Valve w/ Twist Handle, 3" Sink Opening,
2" NPT Male Outlet & 1 1/2" BSP Male Adapter

Drawn
DHL

Checked
WJS

Approved
JHB

Scale:

1:4

Date:

12/01/06