



T&S BRASS AND BRONZE WORKS, INC.

2 Saddleback Cove / P.O. Box 1088
Travelers Rest, SC 29690



REG. #A2601
ISO #9001

Model No.

B-3942-01

Item No.

Travelers Rest, SC: 800-476-4103 Simi Valley, CA: 800-423-0150 Fax: 864-834-3518 www.tsbrass.com

This Space for Architect/Engineer Approval

Job Name _____ Date _____

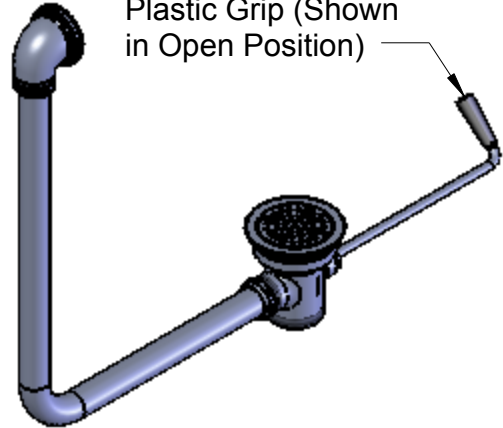
Model Specified _____ Quantity _____

Customer/Wholesaler _____

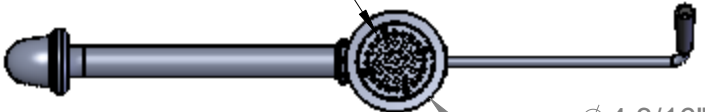
Contractor _____

Architect/Engineer _____

Twist Handle w/
Heat Resistant
Plastic Grip (Shown
in Open Position)



Removable
Snap-In Strainer

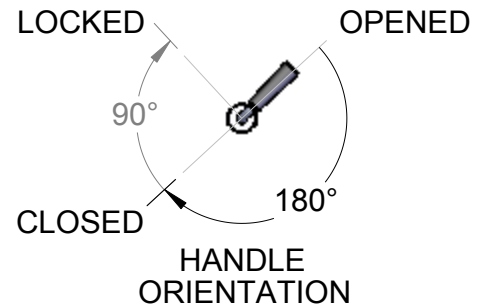
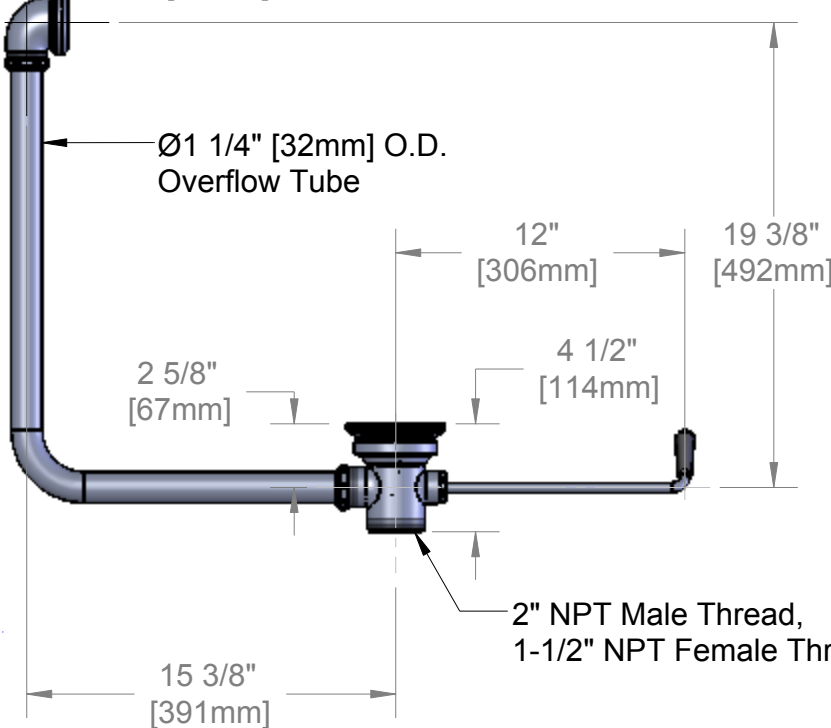


Ø 4 3/16"
[106mm]

Ø 2 11/16"
[68mm]

Ø 1 1/4" [32mm] O.D.
Overflow Tube

Ø 2" [51mm] Opening Required



Product Specifications:

Rotary Waste Valve w/ Twist Handle, 3" Sink Opening, 2" NPT Male/
1-1/2" NPT Female Thread Outlet & Overflow Tube w/ Head Asm.

Drawn DHL	Checked JRM	Approved JHB
Scale: 1:8		Date: 12/01/06



T&S BRASS AND BRONZE WORKS, INC.

2 Saddleback Cove / P.O. Box 1088
Travelers Rest, SC 29690



REG. #A2601
ISO #9001

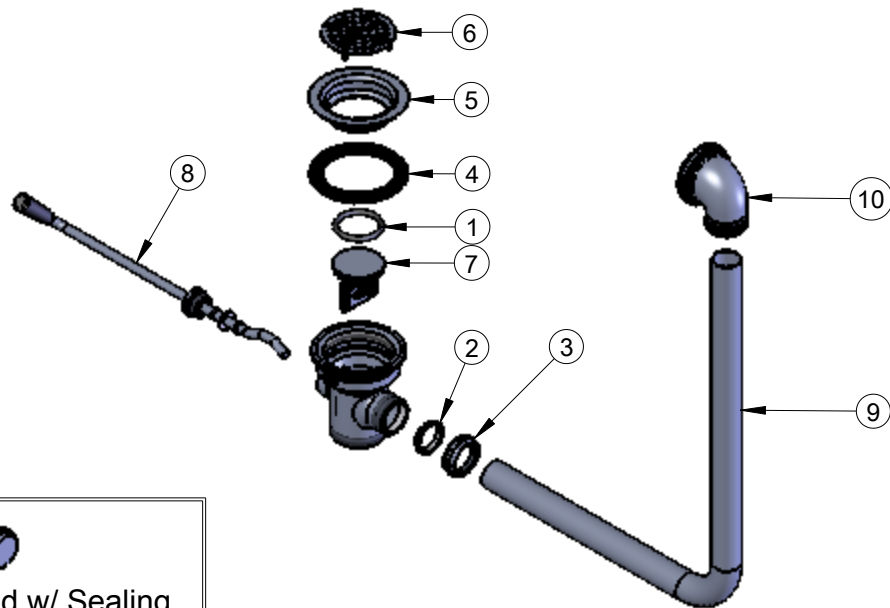
Model No.


B-3942-01

Item No.

Travelers Rest, SC: 800-476-4103 Simi Valley, CA: 800-423-0150 Fax: 864-834-3518 www.tsbrass.com

ITEM	SALE NO.	DESCRIPTION
1	010389-45	O-Ring, Plunger
2	010390-45	Ferrule, Coupling Nut
3	010391-45	Nut, Coupling For Twist Drain
4	015305-45	Gasket, 3" Face Flange
5	015306-45	Flange, 3" Face
6	015307-45	Strainer, 3" Snap-in
7	010388-45	Plunger, Twist Drain
8	010393-45	Rod Assembly, Twist
9	011355-45	Overflow Elbow Tube
10	011356-45	Head Assembly, Overflow Tube




 Also Furnished w/ Sealing
 Cap When Overflow Tube
 Coupling Nut is Not Used.
 PN# 012640-45

Product Specifications:

Rotary Waste Valve w/ Twist Handle, 3" Sink Opening, 2" NPT Male/
1-1/2" NPT Female Thread Outlet & Overflow Tube w/ Head Asm.

Drawn DHL	Checked JRM	Approved JHB
Scale: 1:8		Date: 12/01/06