



# T&S BRASS AND BRONZE WORKS, INC.

2 Saddleback Cove / P.O. Box 1088  
Travelers Rest, SC 29690



REG. #A2601  
ISO #9001

Model No.

**B-3942**

Item No.

Travelers Rest, SC: 800-476-4103 Simi Valley, CA: 800-423-0150 Fax: 864-834-3518 www.tsbrass.com

This Space for Architect/Engineer Approval

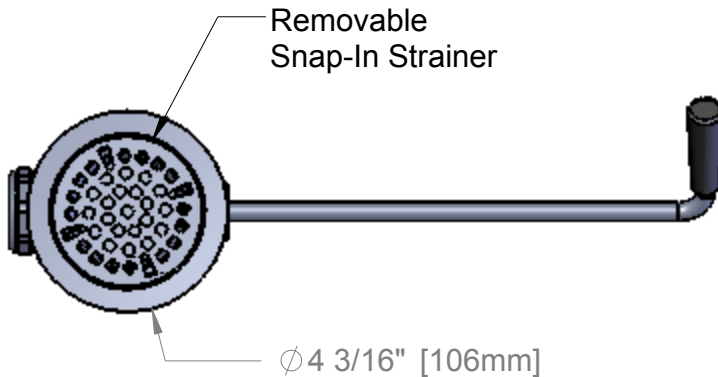
Job Name \_\_\_\_\_ Date \_\_\_\_\_

Model Specified \_\_\_\_\_ Quantity \_\_\_\_\_

Customer/Wholesaler \_\_\_\_\_

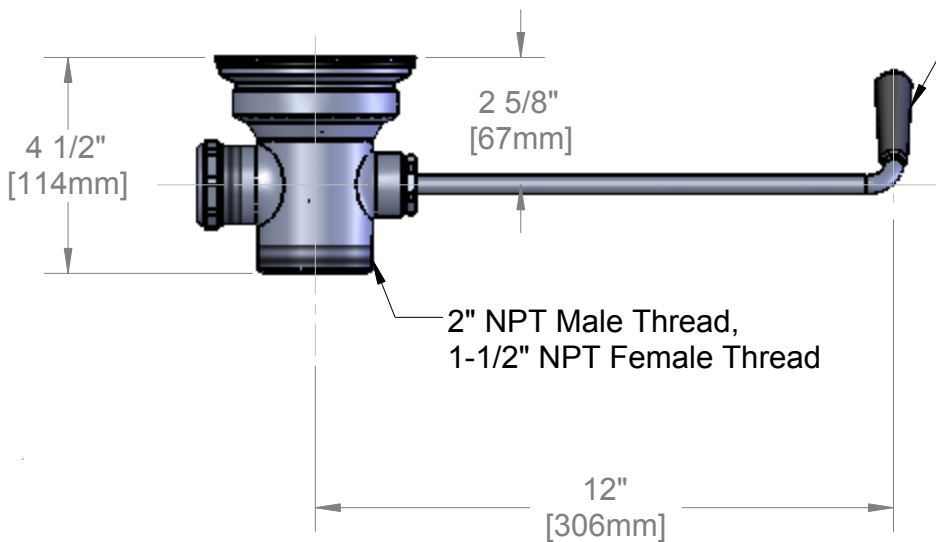
Contractor \_\_\_\_\_

Architect/Engineer \_\_\_\_\_



Removable  
Snap-In Strainer

Ø4 3/16" [106mm]



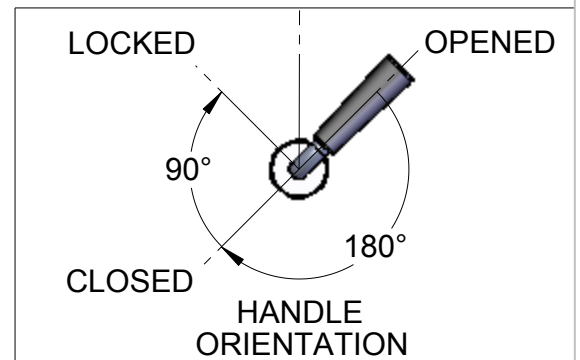
4 1/2"  
[114mm]

2 5/8"  
[67mm]

2" NPT Male Thread,  
1-1/2" NPT Female Thread

12"  
[306mm]

Twist Handle w/  
Heat Resistant  
Plastic Grip (Shown  
in Open Position)



Product Specifications:

Rotary Waste Valve w/ Twist Handle, 3" Sink Opening,  
2" NPT Male / 1-1/2" NPT Female Thread Outlet

Drawn DHL	Checked JRM	Approved JHB
Scale: 1:4	Date: 12/01/06	



# T&S BRASS AND BRONZE WORKS, INC.

2 Saddleback Cove / P.O. Box 1088  
Travelers Rest, SC 29690



REG. #A2601  
ISO #9001

Model No.


**B-3942**

Item No.

Travelers Rest, SC: 800-476-4103    Simi Valley, CA: 800-423-0150    Fax: 864-834-3518    www.tsbrass.com

ITEM	SALE NO.	DESCRIPTION
1	010389-45	O-Ring, Plunger
2	010390-45	Ferrule, Coupling Nut
3	010391-45	Nut, Coupling For Twist Drain
4	015305-45	Gasket, 3" Face Flange
5	015306-45	Flange, 3" Face
6	015307-45	Strainer, 3" Snap-in
7	010388-45	Plunger, Twist Drain
8	010393-45	Rod Assembly, Twist



  
 Also Furnished w/ Sealing  
 Cap When Overflow Tube  
 Coupling Nut is Not Used.  
 PN# 012640-45

Product Specifications:

Rotary Waste Valve w/ Twist Handle, 3" Sink Opening,  
2" NPT Male / 1-1/2" NPT Female Thread Outlet

Drawn DHL	Checked JRM	Approved JHB
Scale: 1:4		Date: 12/01/06