



T&S BRASS AND BRONZE WORKS, INC.

2 Saddleback Cove / P.O. Box 1088
Travelers Rest, SC 29690



REG. #A2601
ISO #9001

Model No.

B-3950-01-BSP

Item No.

Travelers Rest, SC: 800-476-4103 Simi Valley, CA: 800-423-0150 Fax: 864-834-3518 www.tsbrass.com

This Space for Architect/Engineer Approval

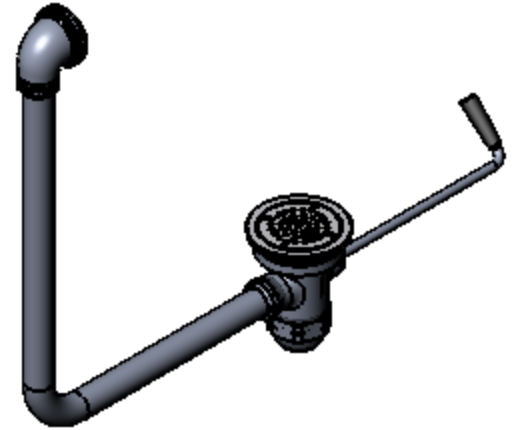
Job Name _____ Date _____

Model Specified _____ Quantity _____

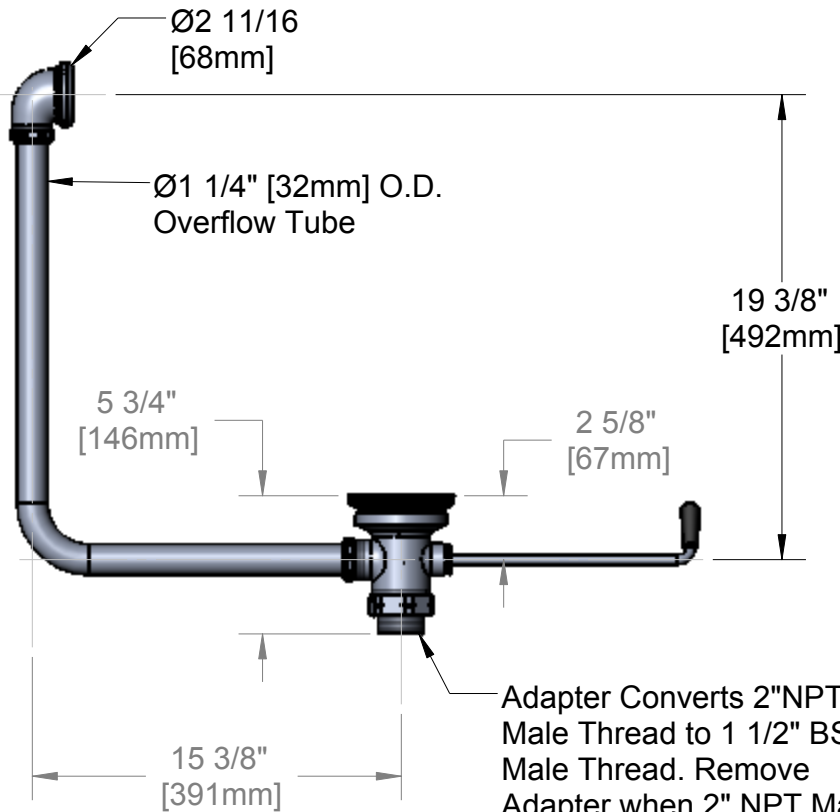
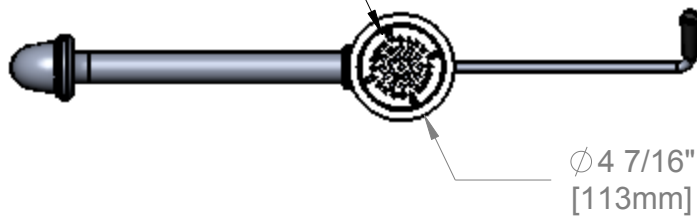
Customer/Wholesaler _____

Contractor _____

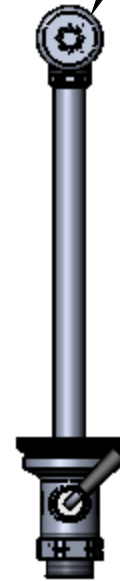
Architect/Engineer _____



Removable
Snap-In Strainer



Ø2" [51mm]
Opening Required



Adapter Converts 2"NPT
Male Thread to 1 1/2" BSP
Male Thread. Remove
Adapter when 2" NPT Male
Thread is Needed.

Product Specifications:

Rotary Waste Valve w/ Lever Handle, 3 1/2" Sink Opening, 2" NPT Female x 1 1/2" BSP Male Adapter & Overflow Tube w/ Head Asm.

Drawn
DHL

Checked
JRM

Approved
JHB

Scale:

1:8

Date:

12/01/06



T&S BRASS AND BRONZE WORKS, INC.

2 Saddleback Cove / P.O. Box 1088
Travelers Rest, SC 29690



REG. #A2601
ISO #9001

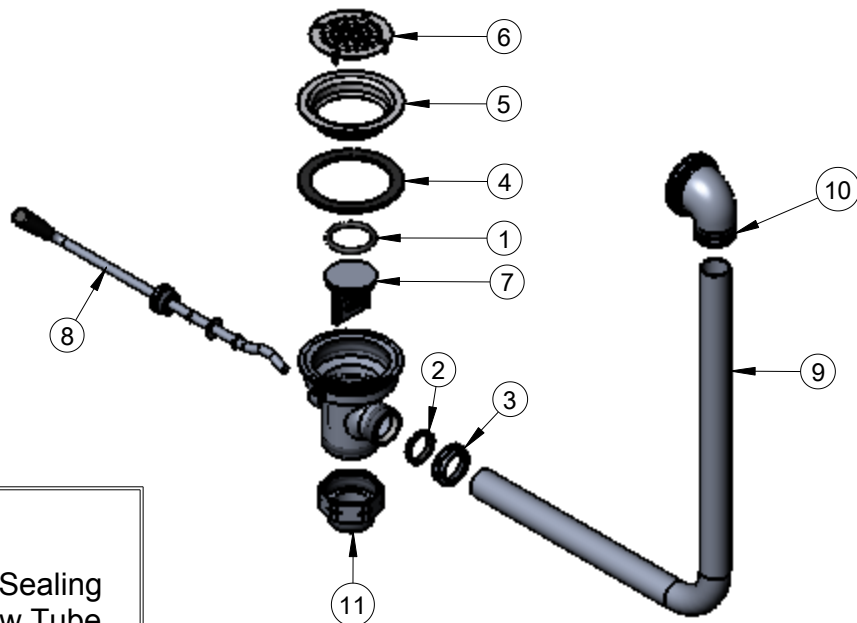
Model No.

B-3950-01-BSP

Item No.

Travelers Rest, SC: 800-476-4103 Simi Valley, CA: 800-423-0150 Fax: 864-834-3518 www.tsbrass.com

ITEM NO.	SALES NO.	DESCRIPTION
1	010389-45	O-Ring, Plunger
2	010390-45	Ferrule, Coupling Nut
3	010391-45	Nut, Coupling For Twist Drain
4	010382-45	Gasket, 3 1/2" Face Flange
5	010384-45	Flange, 3 1/2" Face
6	010386-45	Strainer, 3 1/2" Snap-in Removable
7	010388-45	Plunger, Twist Drain
8	010393-45	Handle Asm, Rotary Waste Valve Twist
9	011355-45	Tube, Overflow Elbow
10	011356-45	Head Asm, Overflow Tube
11	B-3945-BSP	Adapter, 2" NPT Male x 1 1/2" BSP Male



Also Furnished w/ Sealing Cap When Overflow Tube Coupling Nut is Not Used.
PN# 012640-45

Product Specifications:

Rotary Waste Valve w/ Lever Handle, 3 1/2" Sink Opening, 2" NPT Female x 1 1/2" BSP Male Adapter & Overflow Tube w/ Head Asm.

Drawn DHL	Checked JRM	Approved JHB
Scale: 1:8		Date: 12/01/06