



# T&S BRASS AND BRONZE WORKS, INC.

2 Saddleback Cove / P.O. Box 1088  
Travelers Rest, SC 29690



REG. #A2601  
ISO #9001

Model No.

**B-3960-01-BSP**

Item No.

Travelers Rest, SC: 800-476-4103 Simi Valley, CA: 800-423-0150 Fax: 864-834-3518 www.tsbrass.com

This Space for Architect/Engineer Approval

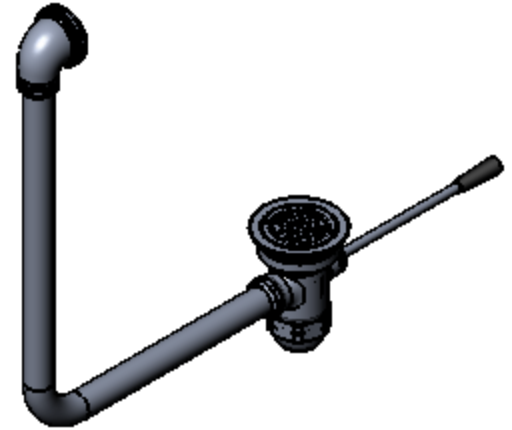
Job Name \_\_\_\_\_ Date \_\_\_\_\_

Model Specified \_\_\_\_\_ Quantity \_\_\_\_\_

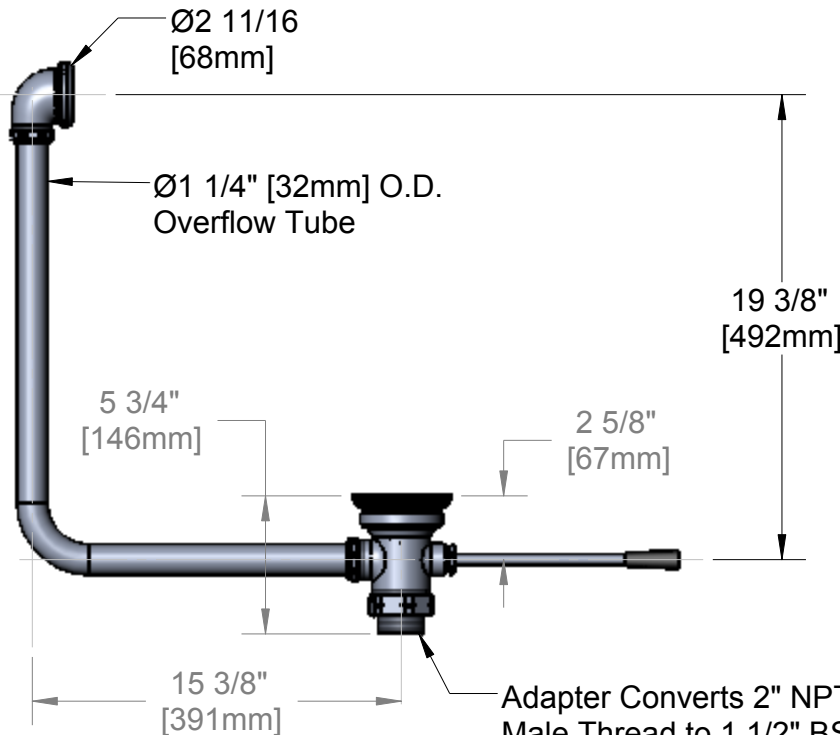
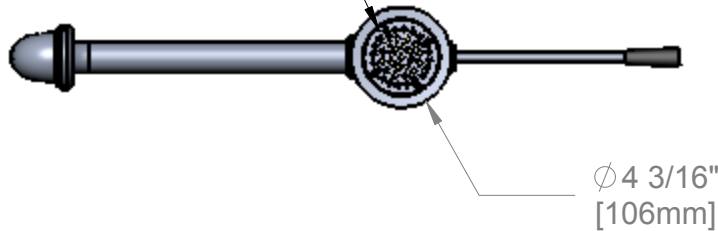
Customer/Wholesaler \_\_\_\_\_

Contractor \_\_\_\_\_

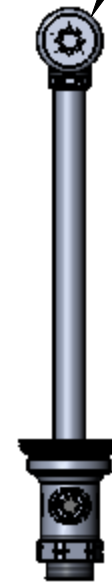
Architect/Engineer \_\_\_\_\_



Removable  
Snap-In Strainer



Ø2" [51mm]  
Opening Required



Adapter Converts 2" NPT Male Thread to 1 1/2" BSP Male Thread. Remove Adapter when 2" NPT Male Thread is Needed.

Product Specifications:

Waste Drain Valve w/ Lever Handle, 3" Sink Opening, 2" NPT Female x 1 1/2" BSP Male Adapter & Overflow Tube w/ Head Asm.

Drawn  
DHL

Checked  
JRM

Approved  
JHB

Scale:

1:8

Date:

12/01/06



**T&S BRASS AND BRONZE WORKS, INC.**

2 Saddleback Cove / P.O. Box 1088  
Travelers Rest, SC 29690



REG. #A2601  
ISO #9001

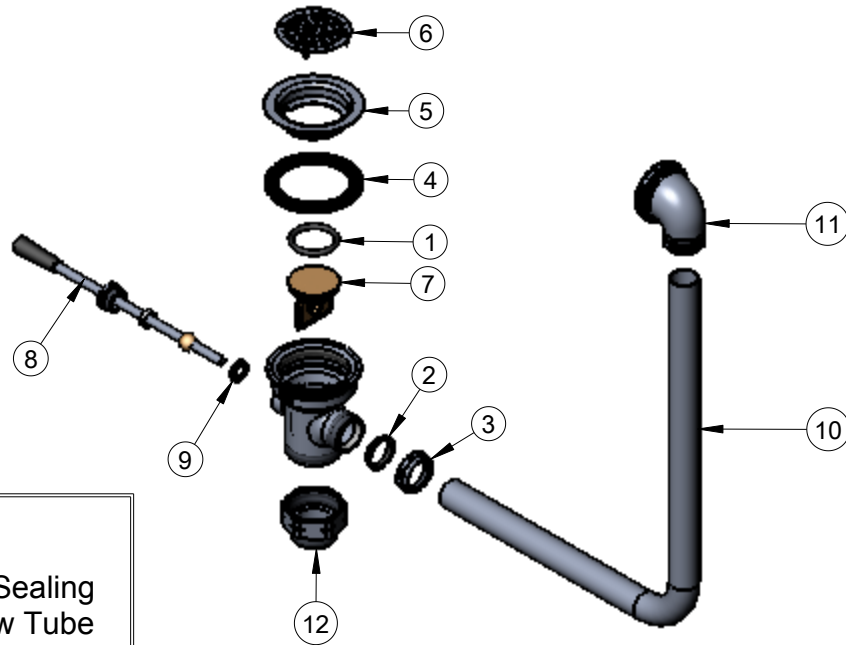
Model No.

**B-3960-01-BSP**

Item No.

Travelers Rest, SC: 800-476-4103    Simi Valley, CA: 800-423-0150    Fax: 864-834-3518    www.tsbrass.com

ITEM NO.	SALES NO.	DESCRIPTION
1	010389-45	O-Ring, Plunger
2	010390-45	Ferrule, Coupling Nut
3	010391-45	Nut, Coupling For Twist Drain
4	015305-45	Gasket, 3" Face Flange
5	015306-45	Flange, 3" Face
6	015307-45	Strainer, 3" Snap-in
7	015405-45	Plunger Casting For Lever Waste Drain
8	010394-45	Handle Asm, Waste Drain Valve Lever
9	010392-45	Bushing, Waste Drain Lever Handle
10	011355-45	Tube, Overflow Elbow
11	011356-45	Head Asm, Overflow Tube
12	B-3945-BSP	Adapter, 2" NPT Male x 1 1/2" BSP Male



Also Furnished w/ Sealing Cap When Overflow Tube Coupling Nut is Not Used.  
PN# 012640-45

Product Specifications:

Waste Drain Valve w/ Lever Handle, 3" Sink Opening, 2" NPT Female x 1 1/2" BSP Male Adapter & Overflow Tube w/ Head Asm.

Drawn DHL	Checked JRM	Approved JHB
Scale: 1:8		Date: 12/01/06