



T&S BRASS AND BRONZE WORKS, INC.

2 Saddleback Cove / P.O. Box 1088
Travelers Rest, SC 29690



REG. #A2601
ISO #9001

Model No.

B-3960-BSP

Item No.

Travelers Rest, SC: 800-476-4103 Simi Valley, CA: 800-423-0150 Fax: 864-834-3518 www.tsbrass.com

This Space for Architect/Engineer Approval

Job Name _____ Date _____

Model Specified _____ Quantity _____

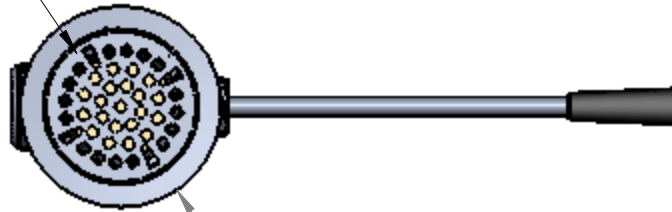
Customer/Wholesaler _____

Contractor _____

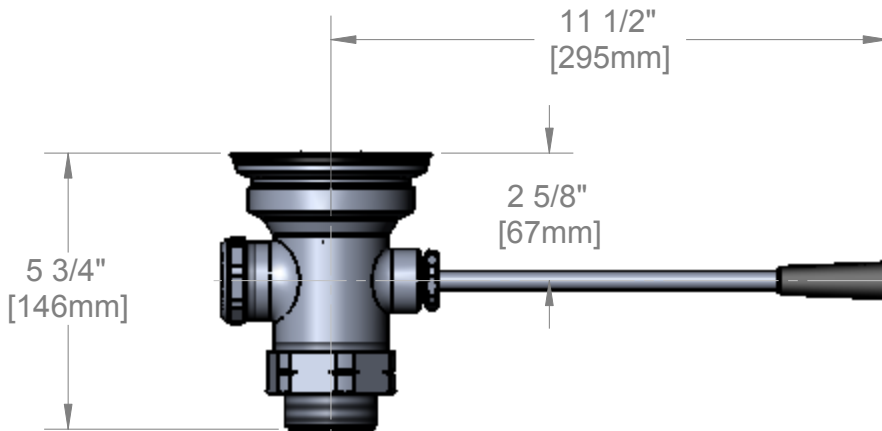
Architect/Engineer _____



Removable
Snap-In Strainer



Ø 4 3/16"
[106mm]



Adapter Converts 2" NPT
Male Thread to 1 1/2" BSP
Male Thread. Remove
Adapter when 2" NPT Male
Thread is Needed.

Product Specifications:

Waste Drain Valve w/ Lever Handle, 3" Sink Opening, 2" NPT
Female x 1 1/2" BSP Male Adapter

Drawn
DHL

Checked
JRM

Approved
JHB

Scale:

1:4

Date:

12/01/06



T&S BRASS AND BRONZE WORKS, INC.

2 Saddleback Cove / P.O. Box 1088
Travelers Rest, SC 29690



REG. #A2601
ISO #9001

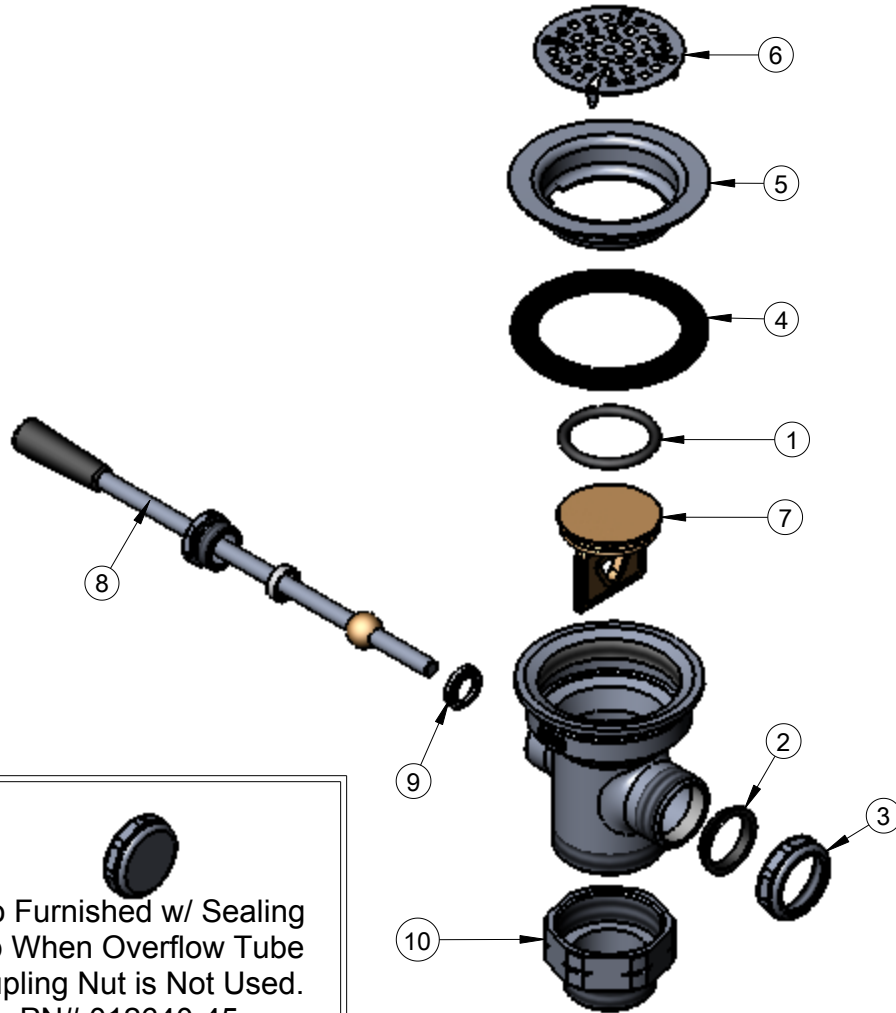
Model No.

B-3960-BSP

Item No.

Travelers Rest, SC: 800-476-4103 Simi Valley, CA: 800-423-0150 Fax: 864-834-3518 www.tsbrass.com

ITEM NO.	SALES NO.	DESCRIPTION
1	010389-45	O-Ring, Plunger
2	010390-45	Ferrule, Coupling Nut
3	010391-45	Nut, Coupling For Twist Drain
4	015305-45	Gasket, 3" Face Flange
5	015306-45	Flange, 3" Face
6	015307-45	Strainer, 3" Snap-in
7	015405-45	Plunger Casting For Lever Waste Drain
8	010394-45	Handle Asm, Waste Drain Valve Lever
9	010392-45	Bushing, Waste Drain Lever Handle
10	B-3945-BSP	Adapter, 2" NPT Male x 1 1/2" BSP Male



Also Furnished w/ Sealing Cap When Overflow Tube Coupling Nut is Not Used.
PN# 012640-45

Product Specifications:

Waste Drain Valve w/ Lever Handle, 3" Sink Opening, 2" NPT Female x 1 1/2" BSP Male Adapter

Drawn DHL	Checked JRM	Approved JHB
Scale: 1:4		Date: 12/01/06