



T&S BRASS AND BRONZE WORKS, INC.

2 SADDLEBACK COVE / P.O. BOX 1088 / TRAVELERS REST, SC 29690

PHONE 800-476-4103

FAX 864-834-3518



REG.#A2601
ISO #9001

Model No.

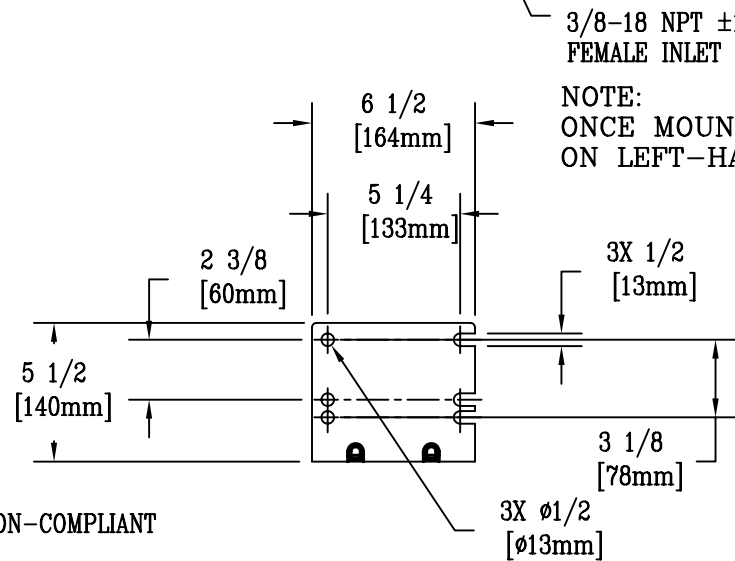
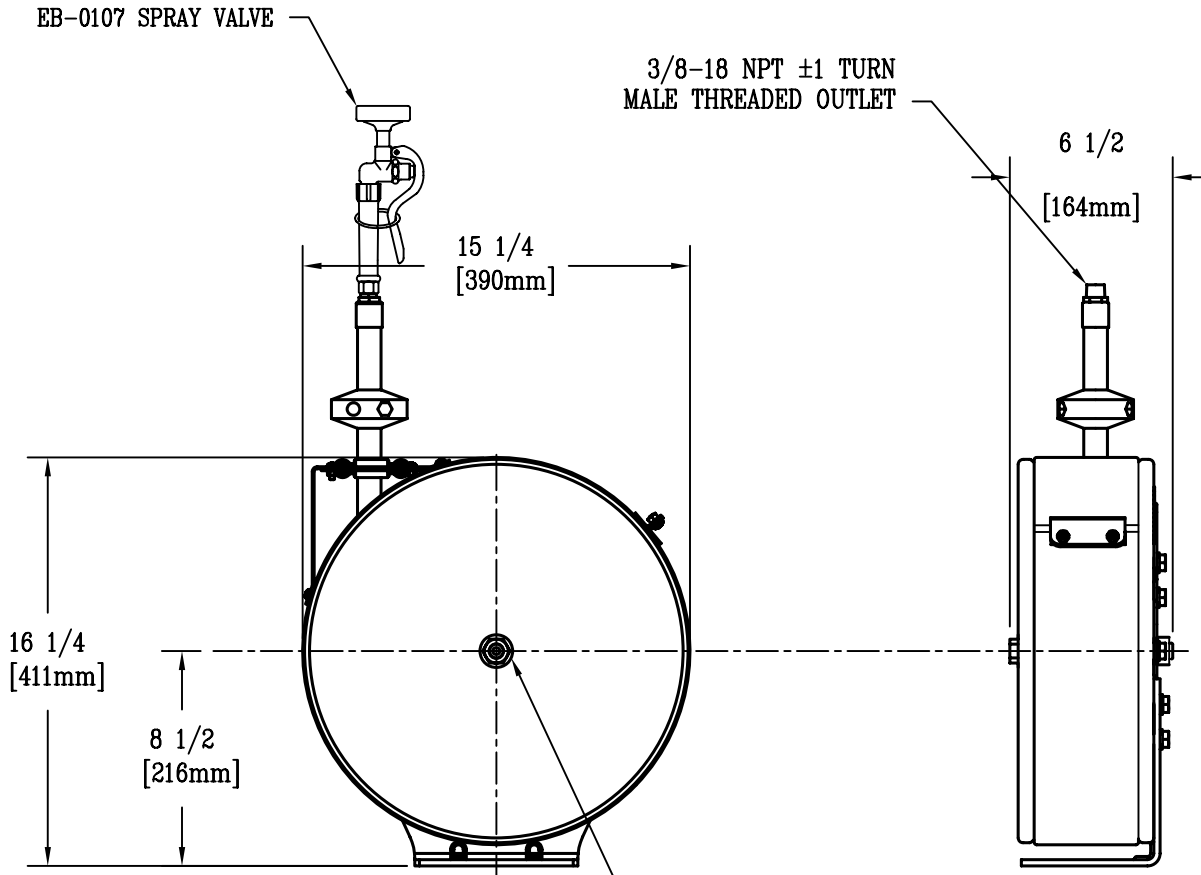
B-7222-C01

Item No.:

Job Name:

Architect/Engineer Approval:

Notes:



EPAct2005 NON-COMPLIANT

Product Description:
HOSEREEL, CLOSED, EPOXY POWDER COATED STEEL
30 FT OF 3/8 DIA. BLUE HOSE AND
EB-0107 SPRAY VALVE

Drawn:

DHL

Checked

WJS

Scale:

1 : 8

Approved

JHB

Date:

8/18/06