



T&S BRASS AND BRONZE WORKS, INC.

2 Saddleback Cove / P.O. Box 1088
Travelers Rest, SC 29690



REG. #A2601
ISO #9001

Model No.
B-7222-C11

Item No.

Travelers Rest, SC: 800-476-4103 Simi Valley, CA: 800-423-0150 Fax: 864-834-3518 www.tsbrass.com

This Space for Architect/Engineer Approval

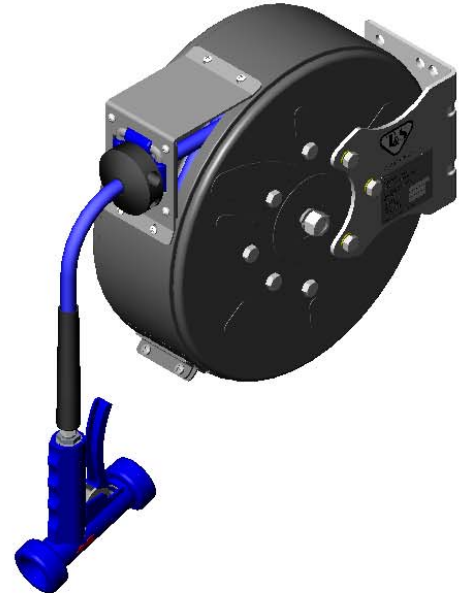
Job Name _____ Date _____

Model Specified _____ Quantity _____

Customer/Wholesaler _____

Contractor _____

Architect/Engineer _____

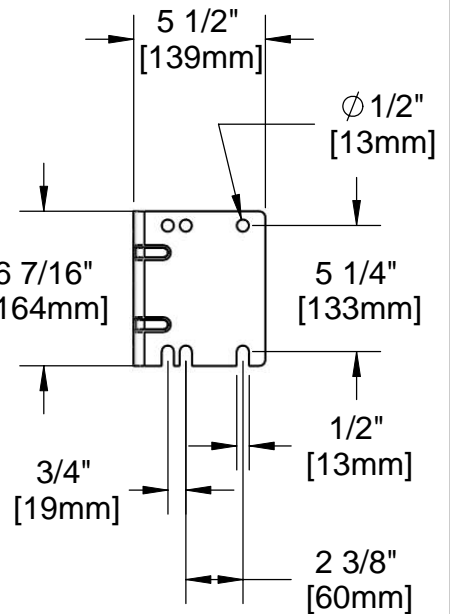
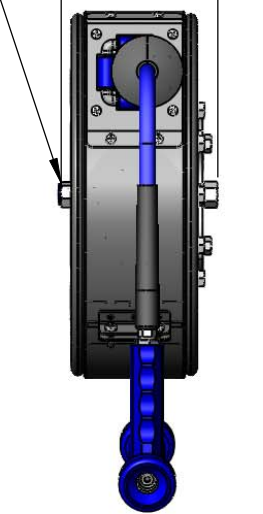
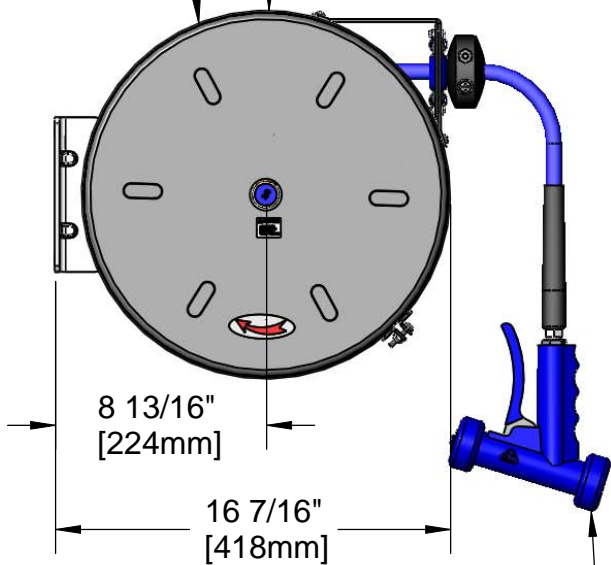


3/8" NPT Female Inlet
(Left Side of Reel)

Enclosed Coated Hose Reel;
30 Ft. of 3/8" Hose

Ø 15 3/8"
[390mm]

6 1/2"
[166mm]



MV-3516-24 Rear Trigger Style Gun
w/ Retractable Hold Down Clip,
Aluminum Body and Royal
Blue Rubber Cover.

Product Specifications:

3/8" x 30 Ft. Enclosed Coated Reel
MV-3516-24 Rear Trigger, 5/16" Aluminum
Spray Gun

Drawn JRM	Checked DMH	Approved JHB
Scale: 1:8		Date: 11/05/08



T&S BRASS AND BRONZE WORKS, INC.
 2 Saddleback Cove / P.O. Box 1088
 Travelers Rest, SC 29690



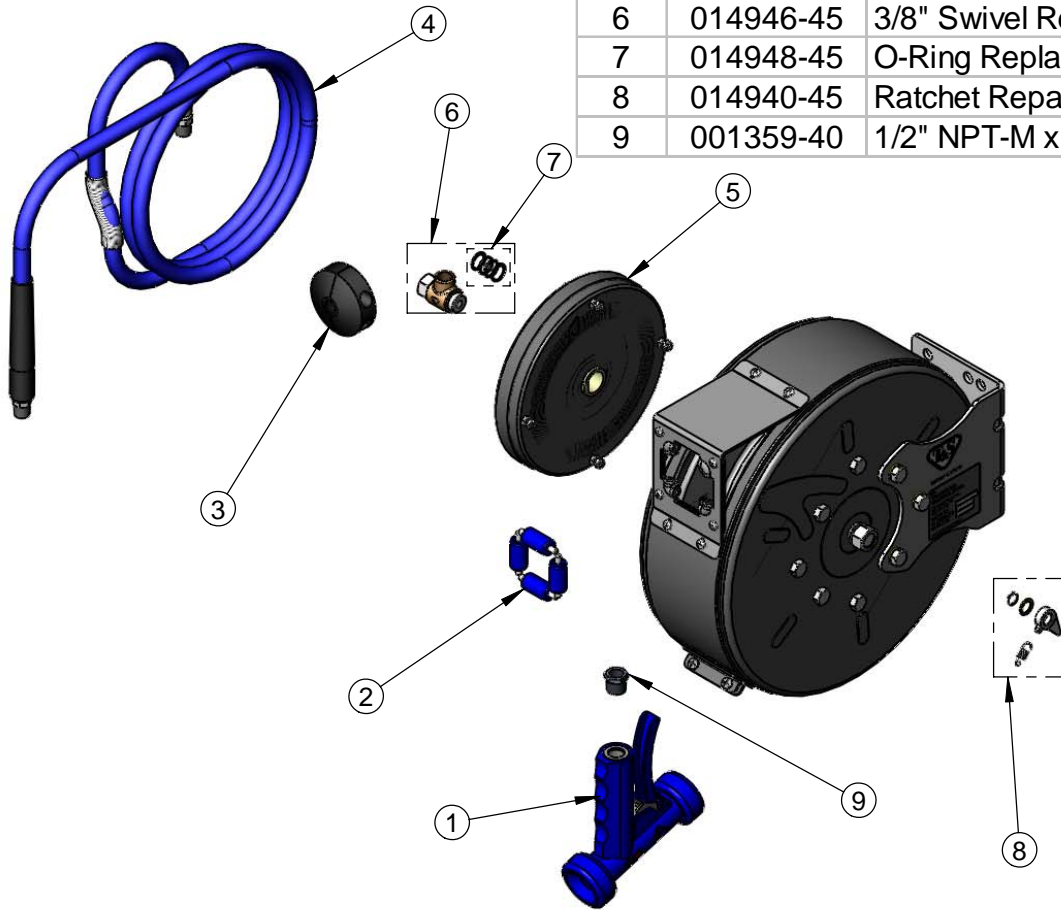
REG. #A2601
 ISO #9001

Model No.
B-7222-C11

Item No.

Travelers Rest, SC: 800-476-4103 Simi Valley, CA: 800-423-0150 Fax: 864-834-3518 www.tsbrass.com

ITEM NO.	SALES NO.	DESCRIPTION
1	MV-3516-24	5/16" Orifice, Rear Trigger Aluminum Gun
2	014936-45	Roller Assembly Repair Kit
3	014949-45	Hose Stop Repair Kit
4	014943-45	3/8" x 30' Hose Replacement Kit
5	014932-45	Small Spring Assembly
6	014946-45	3/8" Swivel Repair Kit
7	014948-45	O-Ring Replacement Kit
8	014940-45	Ratchet Repair Kit
9	001359-40	1/2" NPT-M x 3/8" NPT-F Adapter



Product Specifications:

3/8" x 30 Ft. Enclosed Coated Reel
 MV-3516-24 Rear Trigger, 5/16" Aluminum
 Spray Gun

Drawn JRM	Checked DMH	Approved JHB
Scale: 1:8		Date: 11/05/08