



T&S BRASS AND BRONZE WORKS, INC.

2 SADDLEBACK COVE / P.O. BOX 1088 / TRAVELERS REST, SC 29690

PHONE 800-476-4103

FAX 864- 834-3518



REG.#A2601
ISO #9001

Model No.

B-7232-02

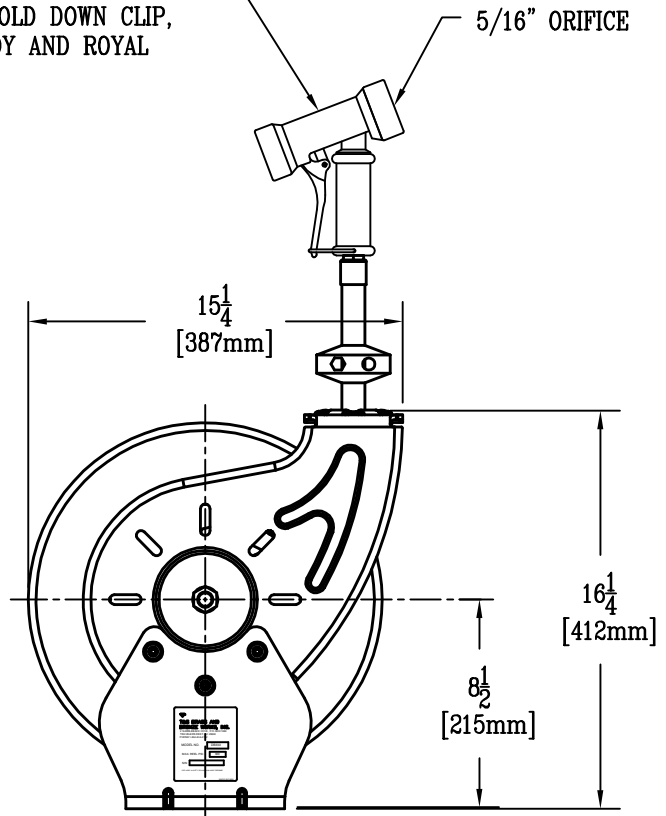
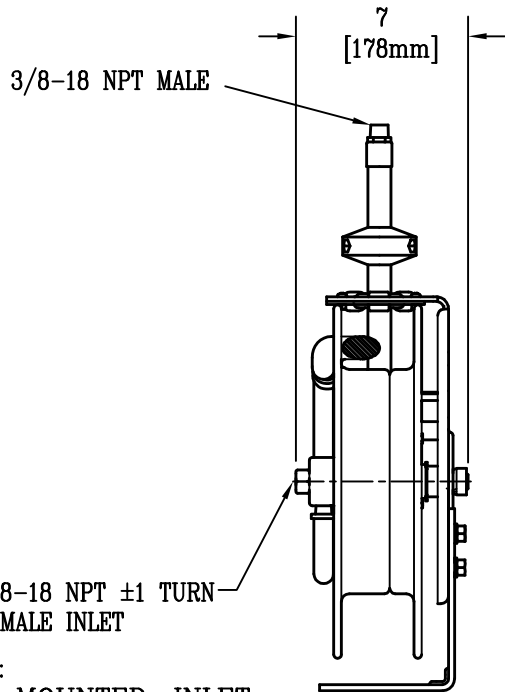
Item No.:

Job Name:

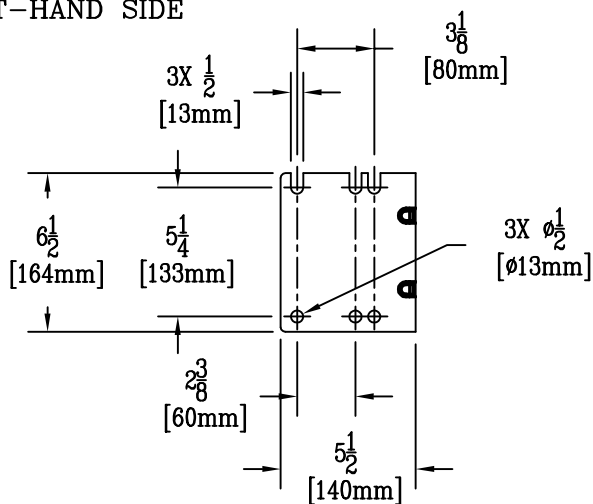
Architect/Engineer Approval:

Notes:

MV-2516-24 REAR TRIGGER STYLE GUN
WITH RETRACTABLE HOLD DOWN CLIP,
STAINLESS STEEL BODY AND ROYAL
BLUE RUBBER COVER



NOTE:
ONCE MOUNTED, INLET
ON LEFT-HAND SIDE



Product Description:
HOSEREEL, OPEN, EPOXY POWDER COATED STEEL
35 FT OF 3/8 DIA. BLUE HOSE AND
MV-2516-24 REAR TRIGGER, 5/16" SPRAY GUN

Drawn:

JRM

Checked:

JHB

Scale:

1 : 8

Approved:

JHB

Date:

6/09/05