



**T&S BRASS AND BRONZE WORKS, INC.**

2 Saddleback Cove / P.O. Box 1088  
Travelers Rest, SC 29690



REG. #A2601  
ISO #9001

Model No.  
**B-7232-11**

Item No.

Travelers Rest, SC: 800-476-4103 Simi Valley, CA: 800-423-0150 Fax: 864-834-3518 www.tsbrass.com

This Space for Architect/Engineer Approval

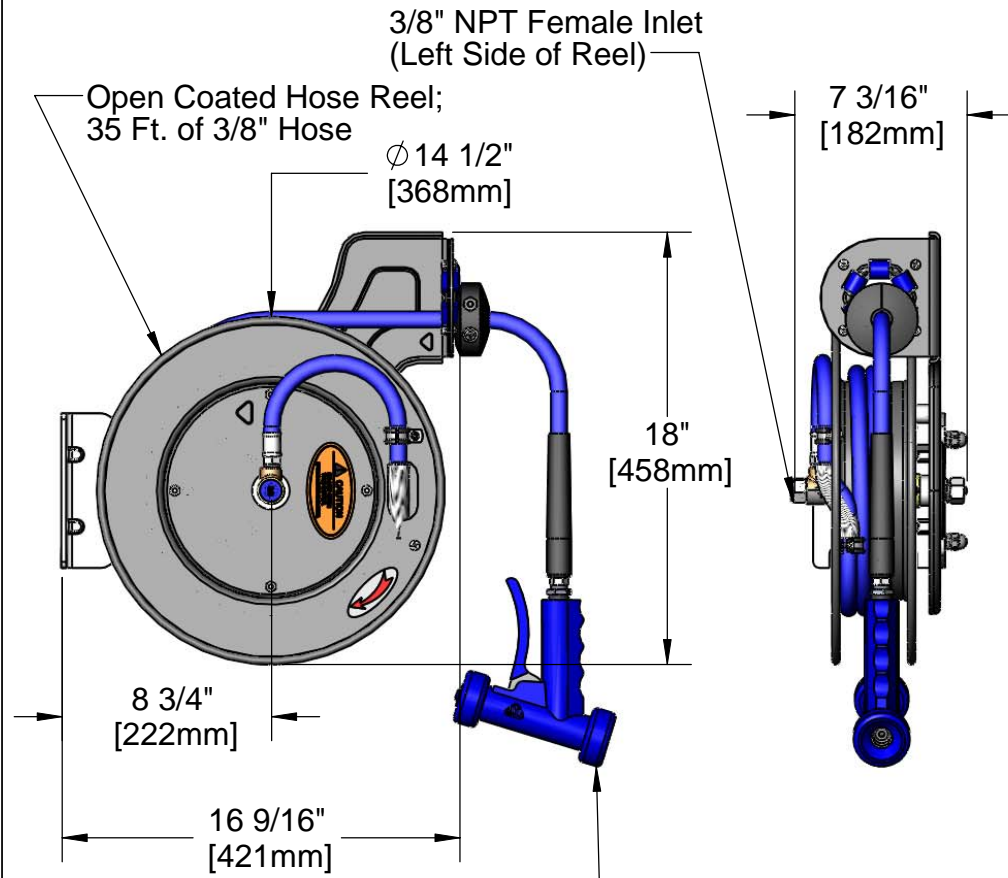
Job Name \_\_\_\_\_ Date \_\_\_\_\_

Model Specified \_\_\_\_\_ Quantity \_\_\_\_\_

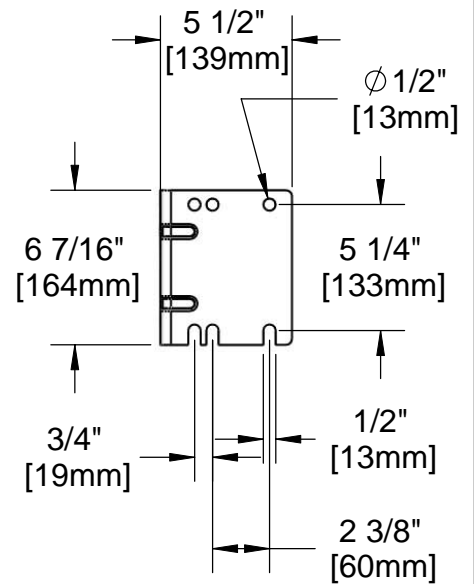
Customer/Wholesaler \_\_\_\_\_

Contractor \_\_\_\_\_

Architect/Engineer \_\_\_\_\_



MV-3516-24 Rear Trigger Style Gun  
w/ Aluminum Body and Royal  
Blue Rubber Cover.



Product Specifications:

**3/8" x 35 Ft. Open Coated Reel**  
**MV-3516-24 Rear Trigger, 5/16" Spray Gun**

Drawn JRM	Checked DMH	Approved JHB
Scale: 1:8		Date: 11/05/08



# T&S BRASS AND BRONZE WORKS, INC.

2 Saddleback Cove / P.O. Box 1088  
Travelers Rest, SC 29690



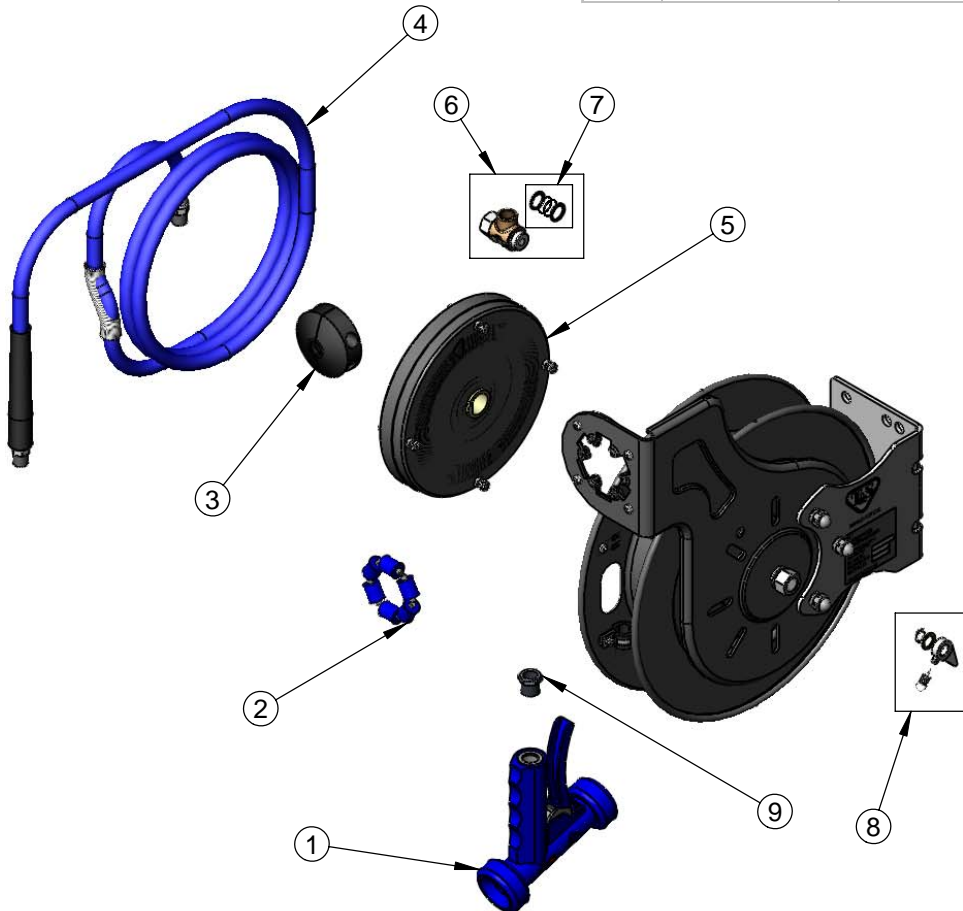
REG. #A2601  
ISO #9001

Model No.  
**B-7232-11**

Item No.

Travelers Rest, SC: 800-476-4103 Simi Valley, CA: 800-423-0150 Fax: 864-834-3518 www.tsbrass.com

ITEM NO.	SALES NO.	DESCRIPTION
1	MV-3516-24	5/16" Orifice, Rear Trigger Aluminum Gun
2	014938-45	Roller Assembly Repair Kit
3	014949-45	Hose Stop Repair Kit
4	014941-45	3/8" x 35' Hose Replacement Kit
5	014932-45	Small Spring Assembly
6	014946-45	3/8" Swivel Repair Kit
7	014948-45	O-Ring Replacement Kit
8	014940-45	Ratchet Repair Kit
9	001359-40	1/2" NPT-M x 3/8" NPT-F Adapter



Product Specifications:

3/8" x 35 Ft. Open Coated Reel  
MV-3516-24 Rear Trigger, 5/16" Spray Gun

Drawn JRM	Checked DMH	Approved JHB
Scale: 1:8		Date: 11/05/08