



T&S BRASS AND BRONZE WORKS, INC.

2 Saddleback Cove / P.O. Box 1088
Travelers Rest, SC 29690



REG. #A2601
ISO #9001

Model No.
B-7232

Item No.

Travelers Rest, SC: 800-476-4103 Simi Valley, CA: 800-423-0150 Fax: 864-834-3518 www.tsbrass.com

This Space for Architect/Engineer Approval

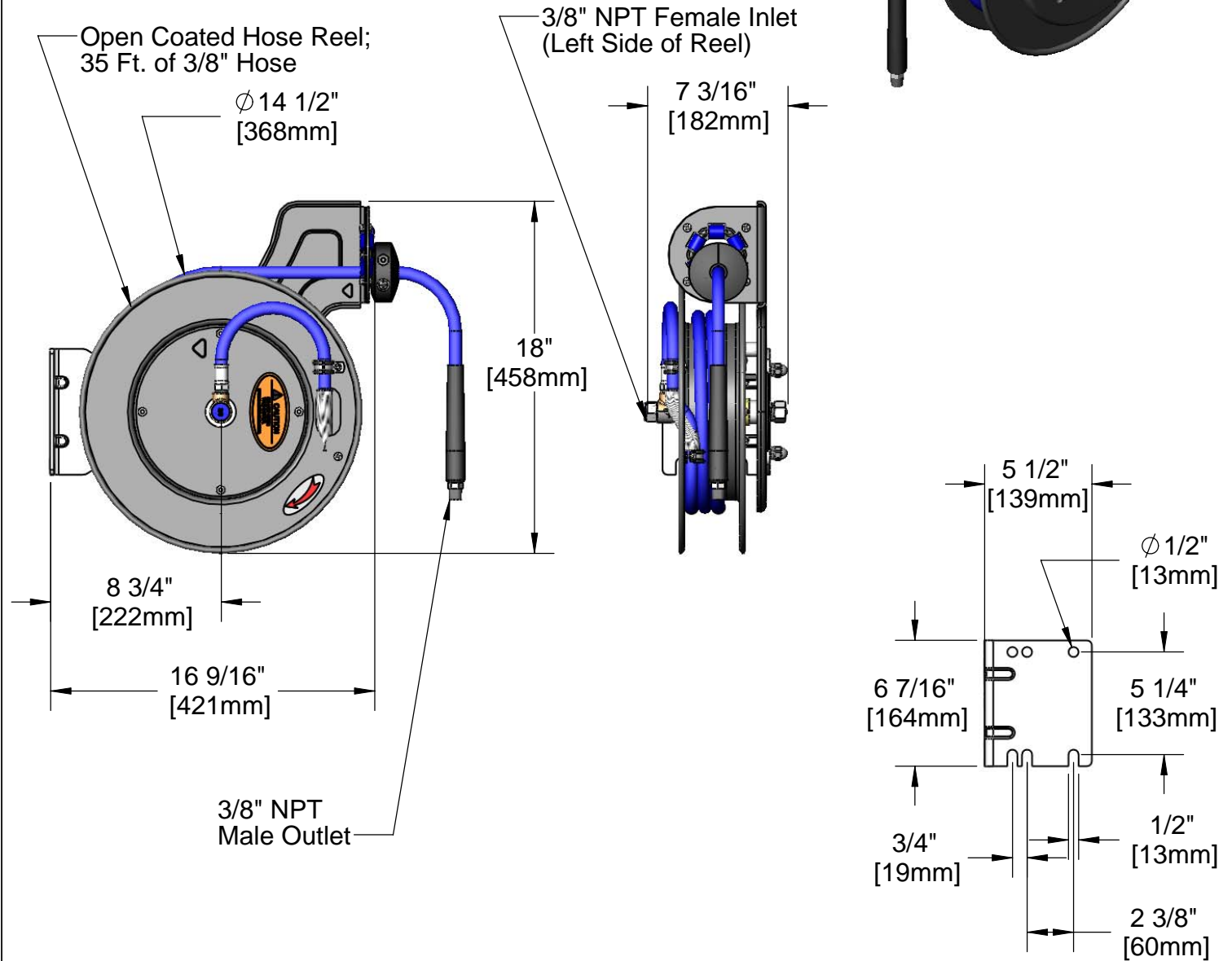
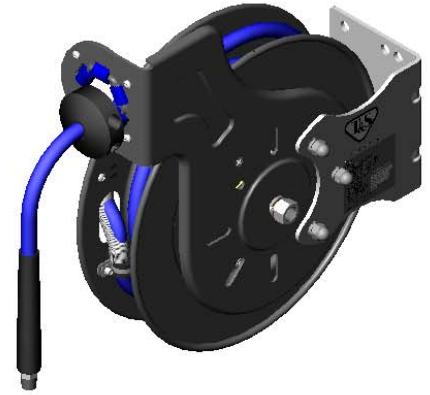
Job Name _____ Date _____

Model Specified _____ Quantity _____

Customer/Wholesaler _____

Contractor _____

Architect/Engineer _____



Product Specifications:

Hose Reel System:
3/8" x 35 Ft. Open Coated Reel
Less Spray Valve

Drawn JRM	Checked GEF	Approved JHB
Scale: 1:8		Date: 12/02/08



T&S BRASS AND BRONZE WORKS, INC.

2 Saddleback Cove / P.O. Box 1088
Travelers Rest, SC 29690



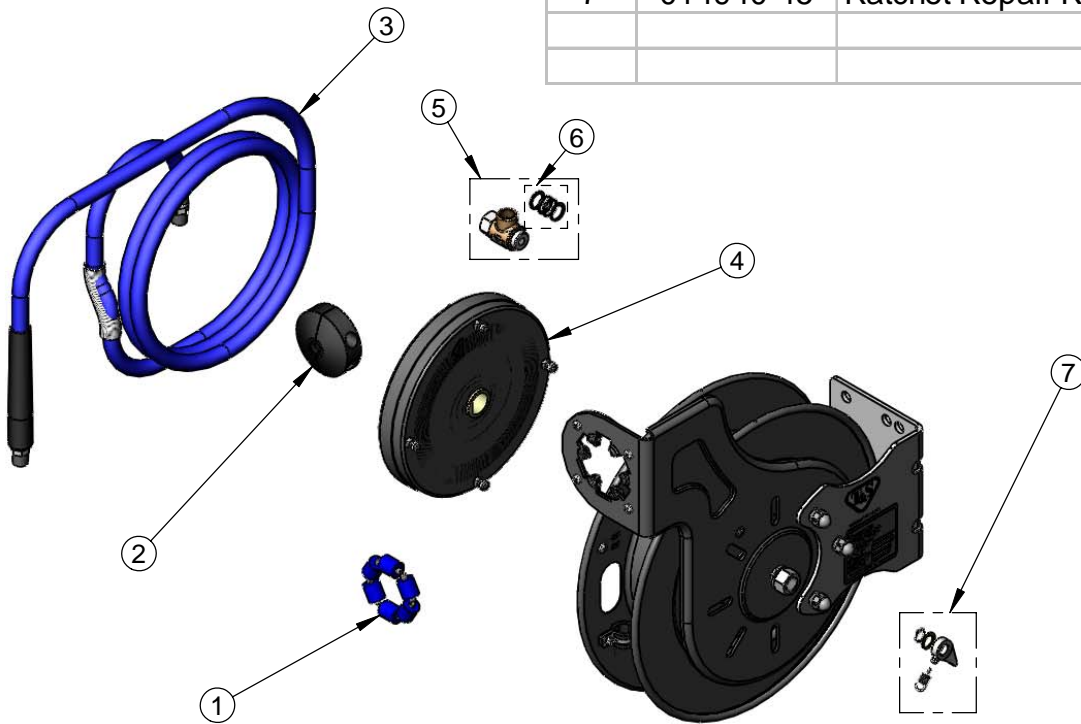
REG. #A2601
ISO #9001

Model No.
B-7232

Item No.

Travelers Rest, SC: 800-476-4103 Simi Valley, CA: 800-423-0150 Fax: 864-834-3518 www.tsbrass.com

ITEM NO.	SALES NO.	DESCRIPTION
1	014938-45	Roller Assembly Repair Kit
2	014949-45	Hose Stop Repair Kit
3	014941-45	3/8" x 35' Hose Replacement Kit
4	014932-45	Small Spring Assembly
5	014946-45	3/8" Swivel Repair Kit
6	014948-45	O-Ring Replacement Kit
7	014940-45	Ratchet Repair Kit



Product Specifications:

Hose Reel System:
3/8" x 35 Ft. Open Coated Reel
Less Spray Valve

Drawn JRM	Checked GEF	Approved JHB
Scale: 1:8		Date: 12/02/08