



T&S BRASS AND BRONZE WORKS, INC.

2 SADDLEBACK COVE / P.O. BOX 1088 / TRAVELERS REST, SC 29690

PHONE 800-476-4103

FAX 864- 834-3518



REG.#A2601
ISO #9001

Model No.

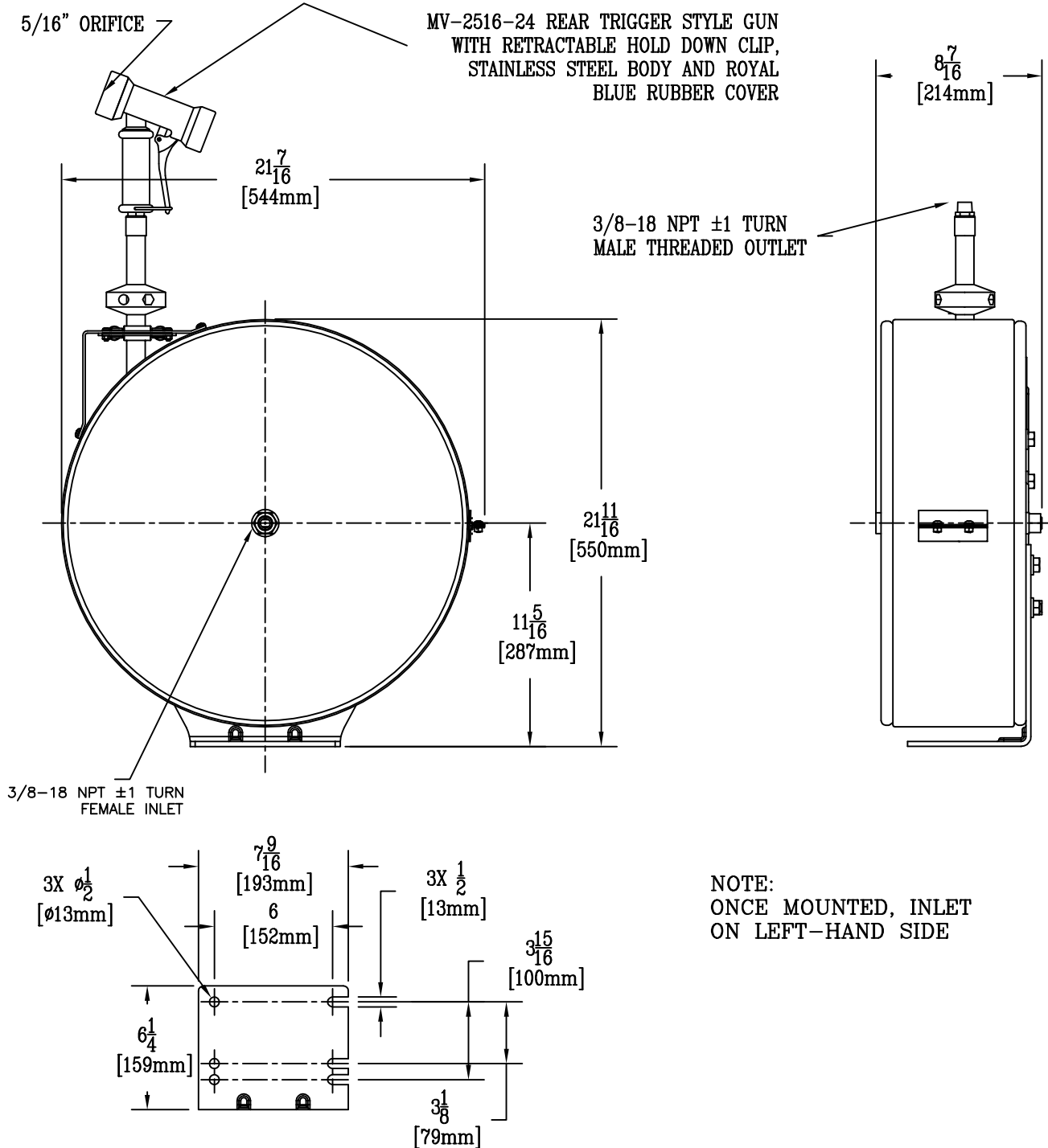
B-7242-C02

Item No.:

Job Name:

Architect/Engineer Approval:

Notes:



Product Description:

HOSEREEL, CLOSED, EPOXY POWDER COATED STEEL
50 FT OF 3/8 DIA. BLUE HOSE AND
MV-2516-24 REAR TRIGGER, 5/16" SPRAY GUN

Drawn:

JRM

Checked

JHB

Scale:

1 : 8

Approved

JHB

Date:

08/22/05