



T&S BRASS AND BRONZE WORKS, INC.
 2 SADDLEBACK COVE / P.O. BOX 1088 / TRAVELERS REST, SC 29690
 PHONE 800-476-4103 FAX 864-834-3518



Model No.

B-7243-08H

Item No.:

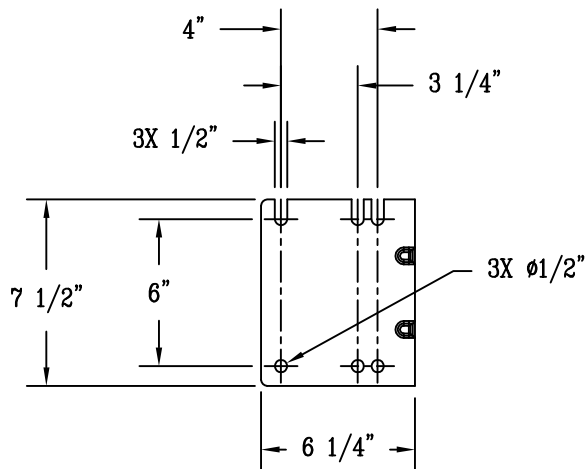
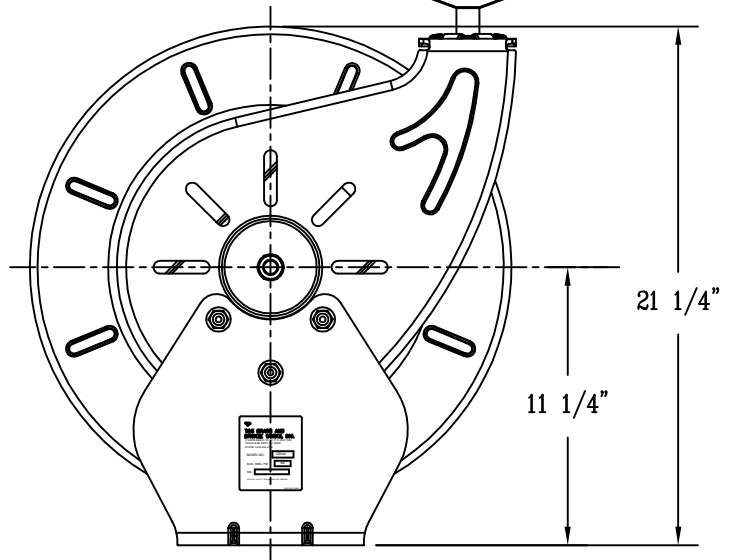
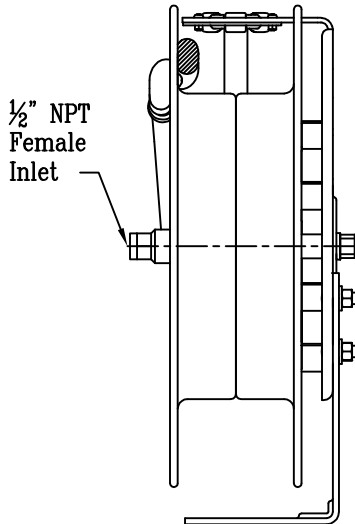
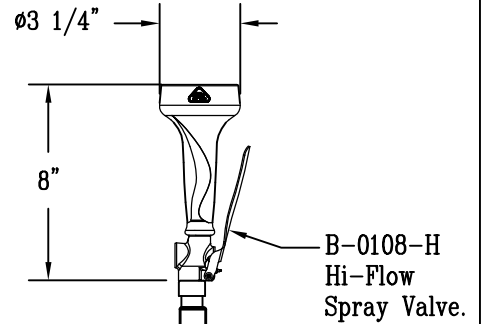
Job Name:

Architect/Engineer Approval:

Notes:

NOTE:
 ONCE MOUNTED, INLET
 ON LEFT-HAND SIDE

1/2" NPT
 Female
 Inlet



Product Description:
 Hose Reel: Open, Epoxy Powder Coated Steel,
 50 FT of 1/2" Dia. Blue Hose and
 Hi-Flow Spray Valve

Drawn:

WJS

Checked

JRM

Scale:

1 : 8

Approved

JHB

Date:

05/18/06