



**T&S BRASS AND BRONZE WORKS, INC.**  
 2 SADDLEBACK COVE / P.O. BOX 1088 / TRAVELERS REST, SC 29690  
 PHONE 800-476-4103 FAX 864-834-3518



Model No.

B-7245-06

Item No.:

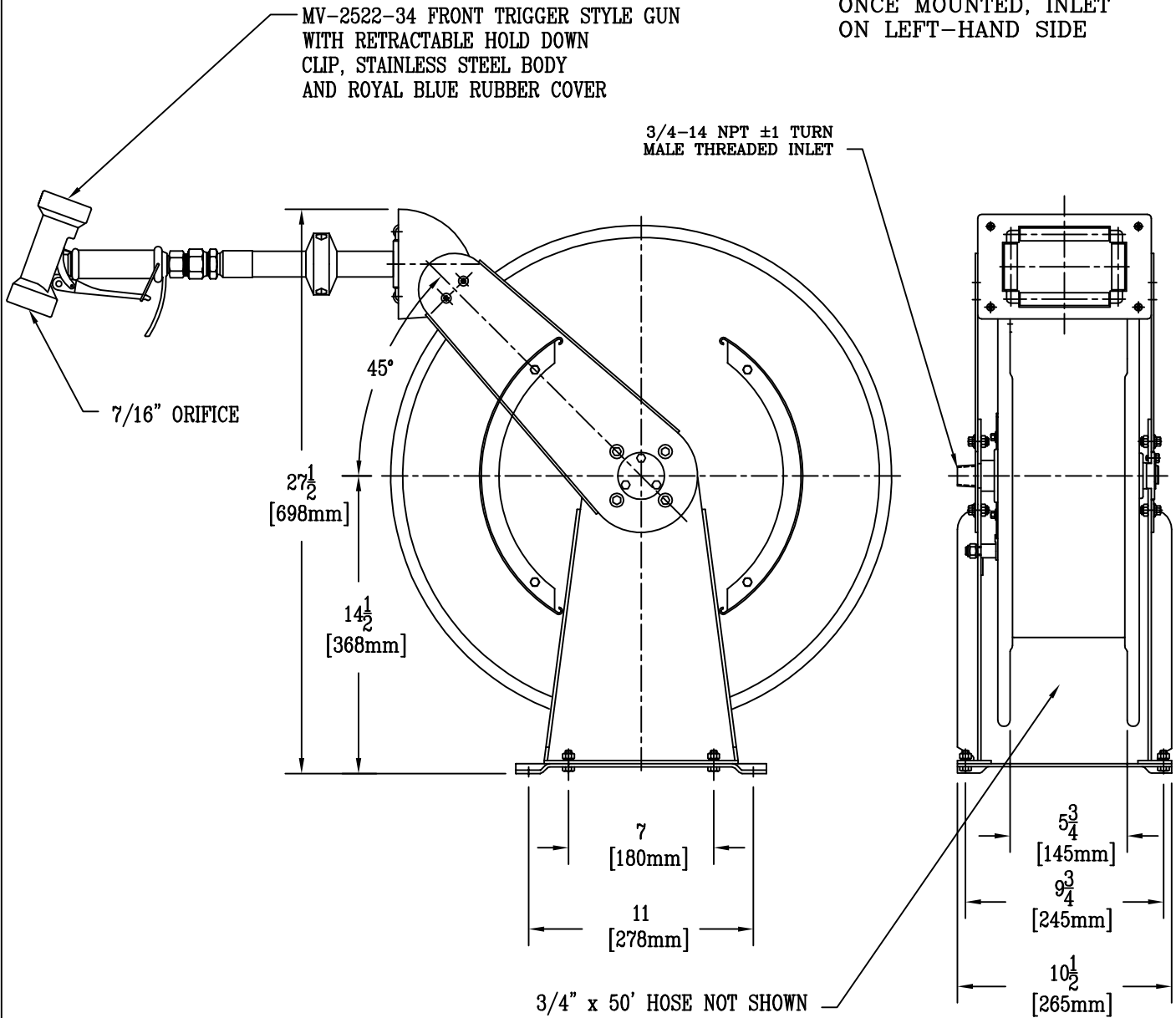
REG.#A2601  
ISO #9001

Job Name:

Architect/Engineer Approval:

Notes:

**NOTE:**  
ONCE MOUNTED, INLET  
ON LEFT-HAND SIDE



Product Description:  
 HOSEREEL, OPEN, EPOXY POWDER COATED STEEL  
 50 FT OF 3/4 DIA. CREAMERY HOSE AND  
 MV-2522-34 FRONT TRIGGER, 7/16" SPRAY GUN

Drawn:

JRM

Checked

JHB

Scale:

1 : 8

Approved

JHB

Date:

6/9/05