



T&S BRASS AND BRONZE WORKS, INC.

2 Saddleback Cove / P.O. Box 1088
Travelers Rest, SC 29690



REG. #A2601
ISO #9001

Model No.
BL-4245

Item No.

Travelers Rest, SC: 800-476-4103 Simi Valley, CA: 800-423-0150 Fax: 864-834-3518 www.tsbrass.com

This Space for Architect/Engineer Approval

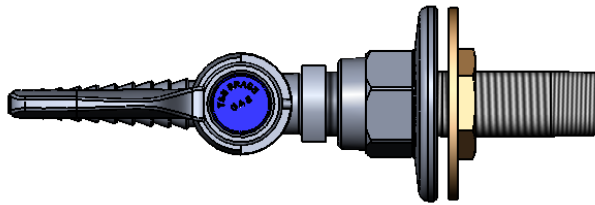
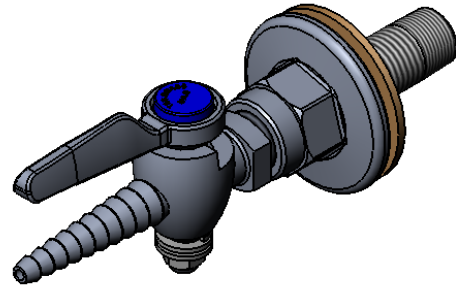
Job Name _____ Date _____

Model Specified _____ Quantity _____

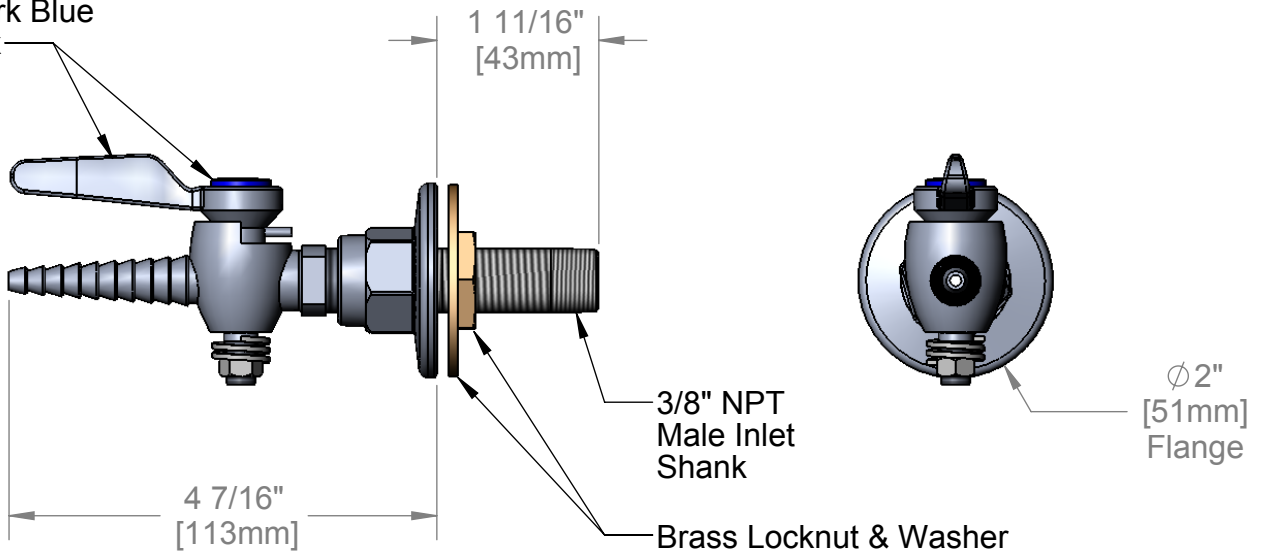
Customer/Wholesaler _____

Contractor _____

Architect/Engineer _____



Ground Key Hose
Cock w/ Integral
Check & Dark Blue
"GAS" Index



Product Specifications:
Panel Flange, Ground Key Hose Cock
w/ Integral Check,
and Dark Blue "GAS" Index

Drawn WJS	Checked JRM	Approved JHB
Scale: 1:2	Date: 03/02/07	



T&S BRASS AND BRONZE WORKS, INC.

2 Saddleback Cove / P.O. Box 1088
Travelers Rest, SC 29690



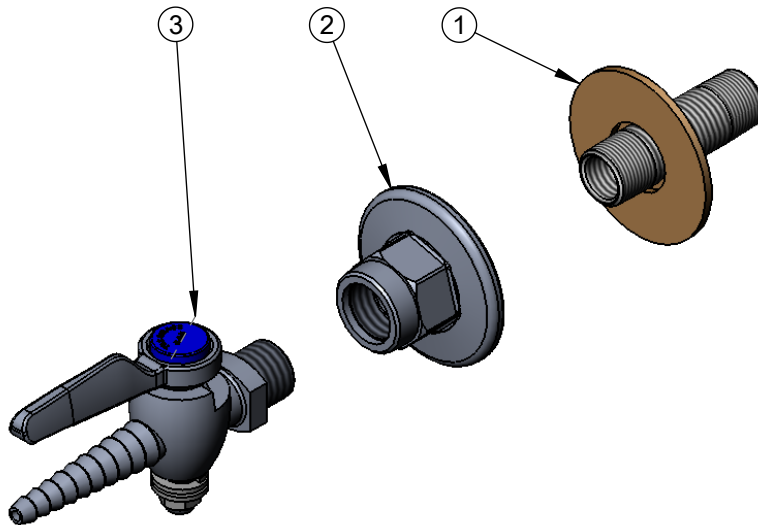
REG. #A2601
ISO #9001

Model No.
BL-4245

Item No.

Travelers Rest, SC: 800-476-4103 Simi Valley, CA: 800-423-0150 Fax: 864-834-3518 www.tsbrass.com

ITEM NO.	SALES NO.	DESCRIPTION
1	BL-5500-07	Supply Nipple Kit
2	BL-4250-03	Panel Flange
3	BL-4005-01	Ground Key Hose Cock



Product Specifications:

Panel Flange, Ground Key Hose Cock
w/ Integral Check,
and Dark Blue "GAS" Index

Drawn WJS	Checked JRM	Approved JHB
Scale: 1:2		Date: 03/02/07