



T&S BRASS AND BRONZE WORKS, INC.

2 SADDLEBACK COVE / P.O. BOX 1088 / TRAVELERS REST, SC 29690

PHONE 800-476-4103

FAX 864-834-3518



REG.#A2601
ISO #9002

Model No.

BL-4249

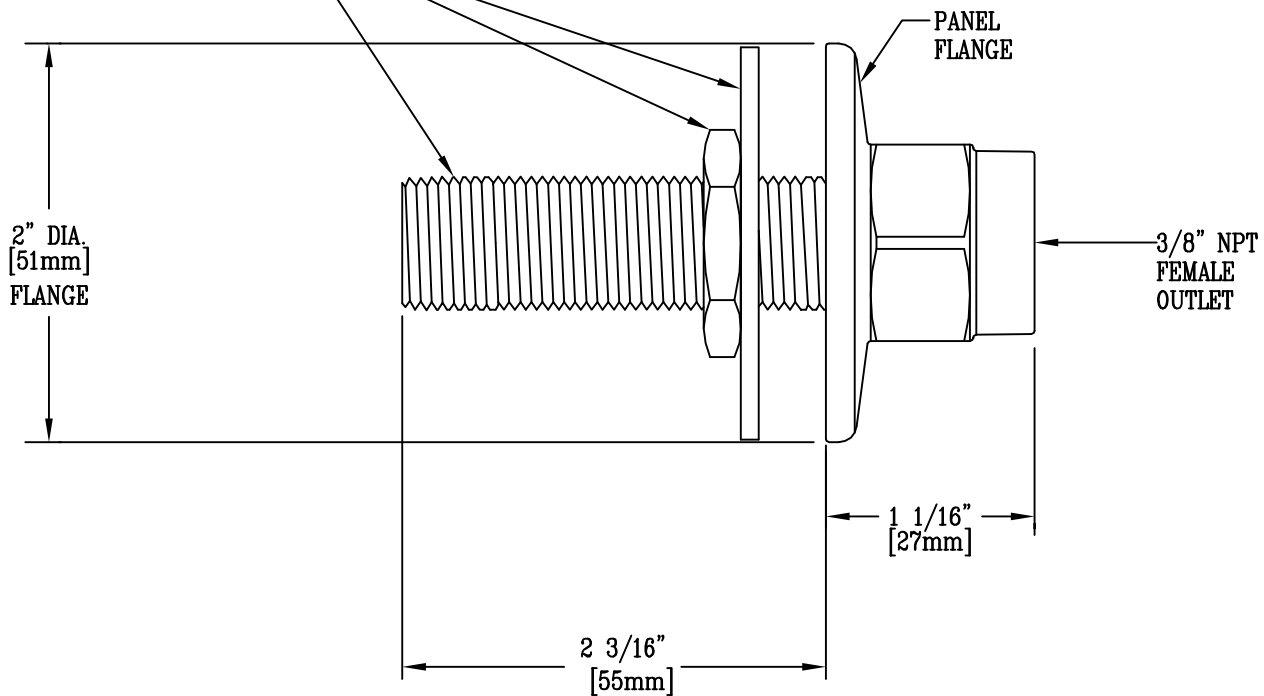
Item No.:

Job Name:

Architect/Engineer Approval:

Notes:

3/8" NPT MALE SUPPLY
NIPPLE. FURNISHED w/
BRASS LOCK WASHER &
LOCK NUT



Product Description:

BL-4250-03 PANEL FLANGE WITH
BL-5500-07 3/8" SUPPLY NIPPLE

Drawn:

WJS

Checked:

JKD

Scale:

1' = 1'

Approved

MVW

Date:

7/9/01