



**T&S BRASS AND BRONZE WORKS, INC.**  
 2 SADDLEBACK COVE / P.O. BOX 1088 / TRAVELERS REST, SC 29690  
 PHONE 800-476-4103 FAX 864- 834-3518



Model No.

BL-4250-11

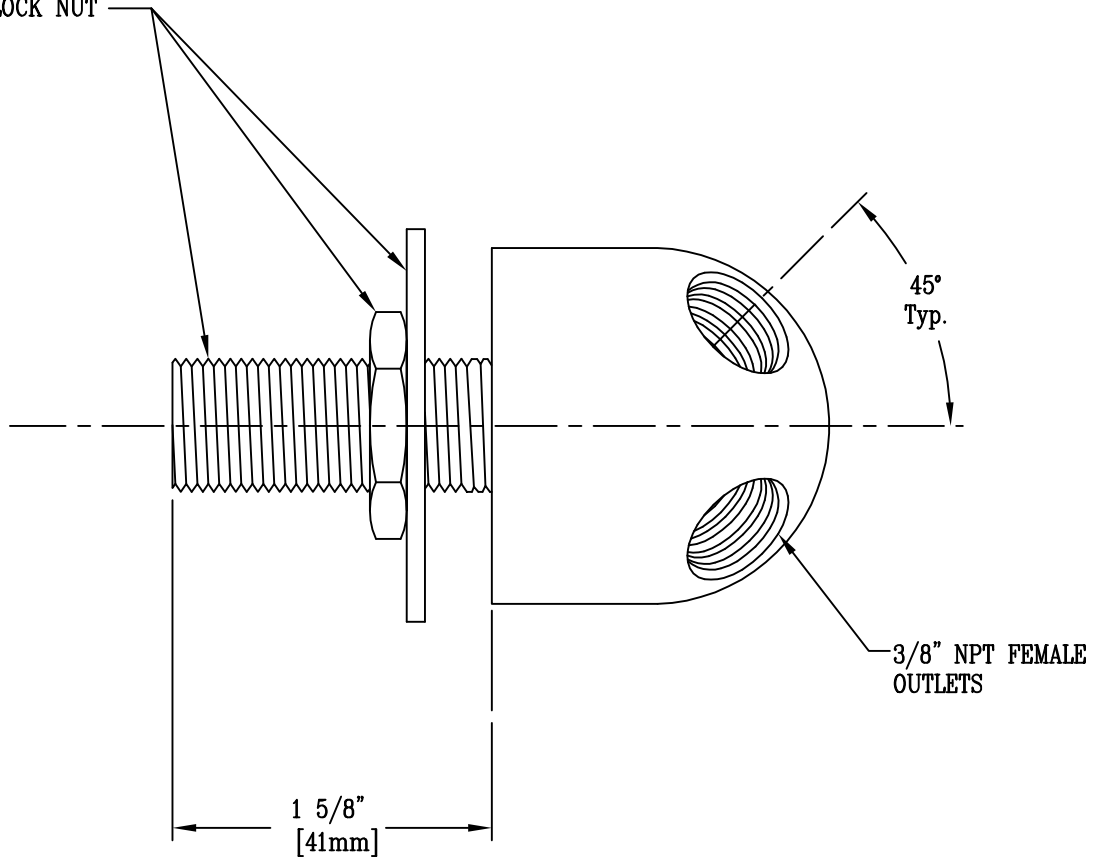
Item No.:

Job Name:

Architect/Engineer Approval:

Notes:

3/8" NPT MALE SUPPLY  
 NIPPLE. FURNISHED w/  
 BRASS LOCK WASHER &  
 LOCK NUT



Product Description:

PANEL FLANGE w/ SUPPLY NIPPLE KIT

Drawn:

WJS

Checked

JRM

Scale:

1:1

Approved

JHB

Date:

8/9/06