



**T&S BRASS AND BRONZE WORKS, INC.**  
 2 SADDLEBACK COVE / P.O. BOX 1088 / TRAVELERS REST, SC 29690  
 PHONE 800-476-4103 - FAX 864- 834-3518



Model No.

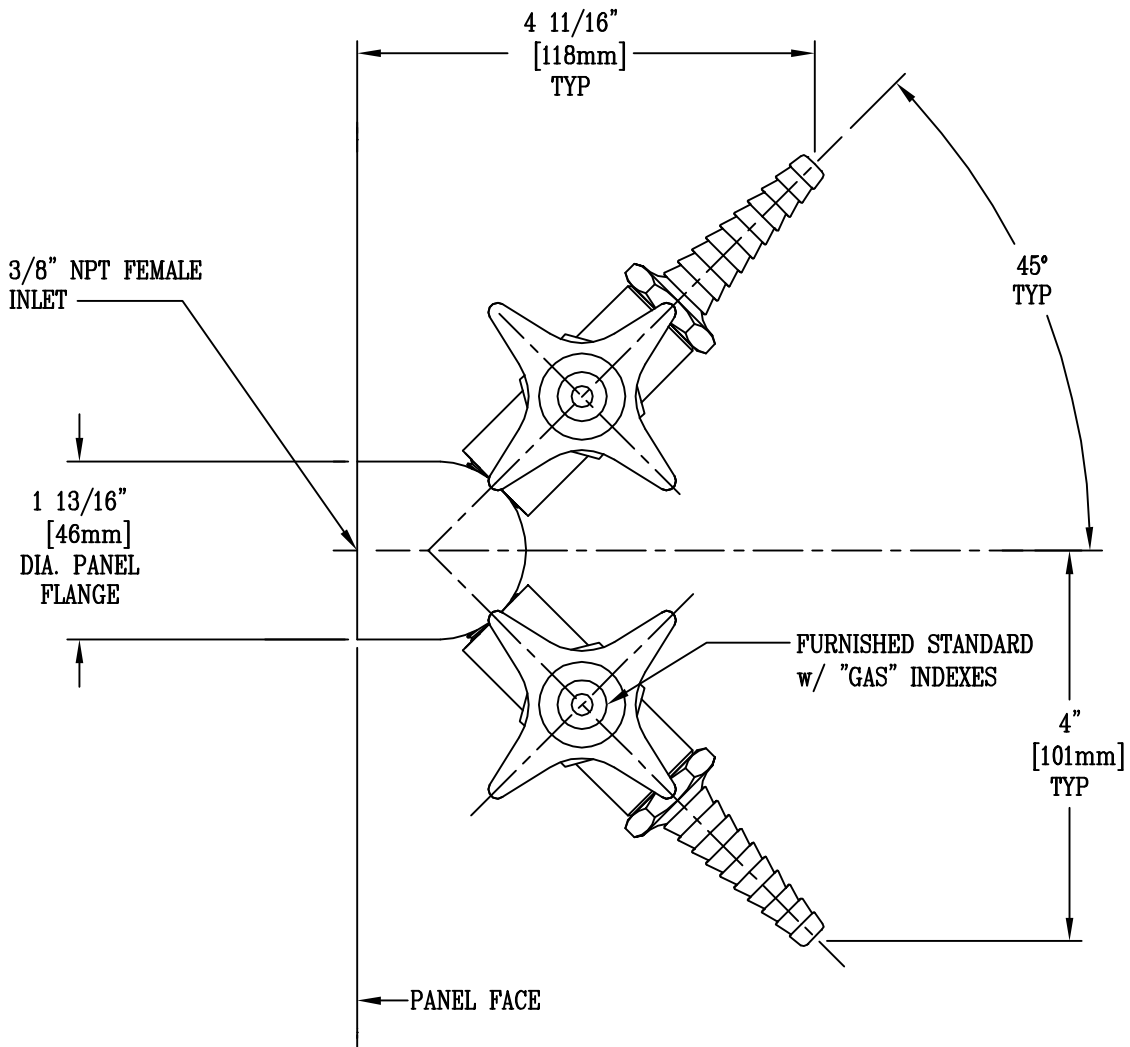
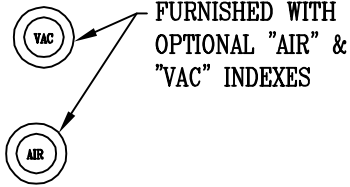
BL-4350-02

**RELIABILITY  
 BUILT IN**

Job Name:

Architect/Engineer Approval:

Notes:



Product Description:

DOUBLE PANEL FLANGE w/ (2) STRAIGHT STOP FOR GAS-AIR-VAC  
 3/8" NPT FEMALE INLET, SERRATED TIP OUTLETS

Drawn:

WJS

Approved

MVW

Checked

JKD

Scale:

1 : 2

Date:

7/22/02