



T&S BRASS AND BRONZE WORKS, INC.
 2 SADDLEBACK COVE / P.O. BOX 1088 / TRAVELERS REST, SC 29690
 PHONE 800-476-4103 FAX 864-834-3518



Model No.

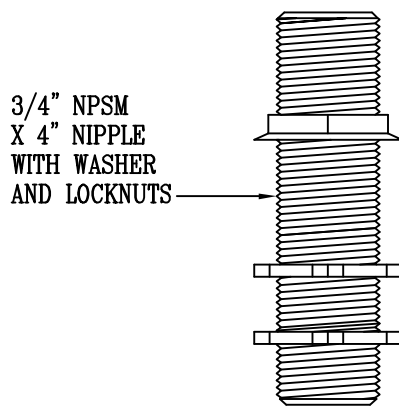
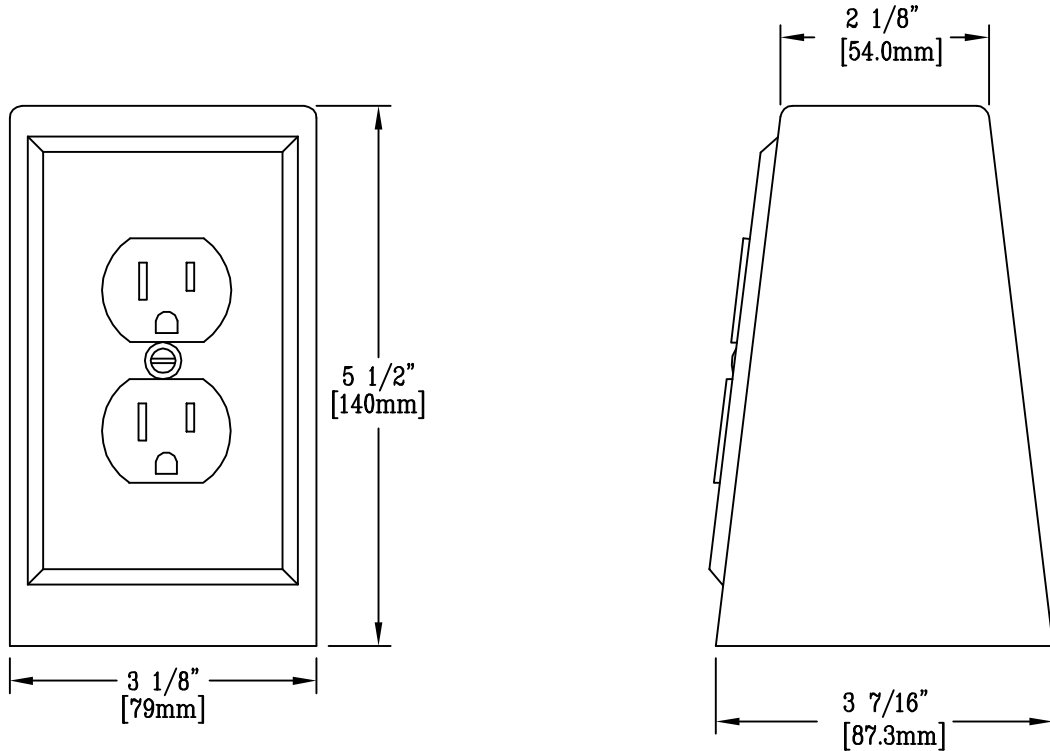
BL-8005-DD

Item No.:

Job Name:

Architect/Engineer Approval:

Notes:



NOTES:

1. POLISHED ALUMINUM ELECTRICAL BOX
 SUPPLIED WITH DUPLEX, 3 WIRE
 RECEPTACLES, COVERPLATE AND
 SUPPLY NIPPLE WITH LOCKNUTS AND WASHER.
2. CONSTRUCTED OF U.L. APPROVED COMPONENTS.

Product Description:

SINGLE GANG, SINGLE FACE
ELECTRICAL BOX

Drawn:

TEH

Checked

JKD

Scale:

6" = 1'

Approved

MVW

Date:

10-25-00