



T&S BRASS AND BRONZE WORKS, INC.
 2 SADDLEBACK COVE / P.O. BOX 1088 / TRAVELERS REST, SC 29690
 PHONE 800-476-4103 FAX 864-834-3518



Model No.

BF-0178-A

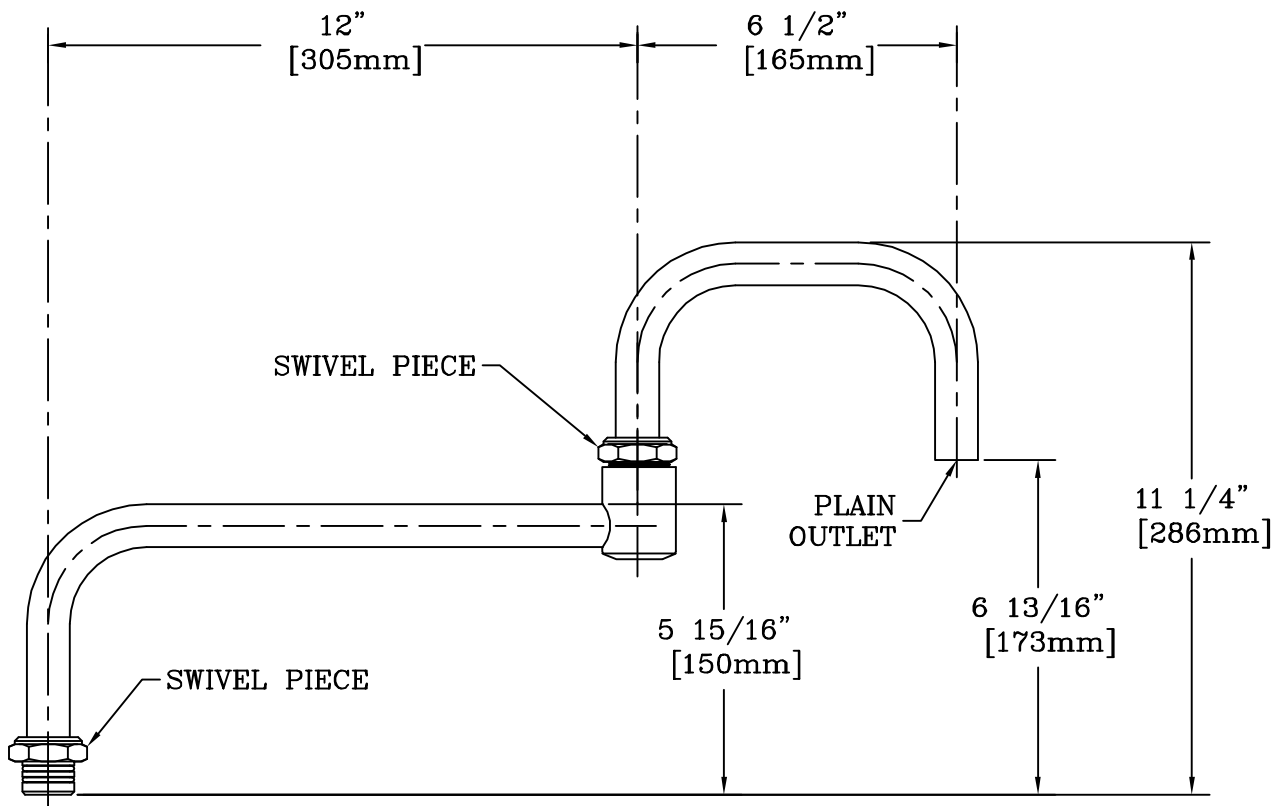
Item No.:

REG.#A2601
ISO #9001

Job Name:

Architect/Engineer Approval:

Notes:



Product Description:

"BIG-FLO" DOUBLE-JOINT SPOUT
 12" BACK SECTION AND 6-1/2" FRONT SECTION

Drawn:

JKD

Checked

MVW

Scale:

3" = 1'

Approved

MVW

Date:

5/25/99