



T&S BRASS AND BRONZE WORKS, INC.
 2 SADDLEBACK COVE / P.O. BOX 1088 / TRAVELERS REST, SC 29690
 PHONE 800-476-4103 FAX 864- 834-3518



Model No.

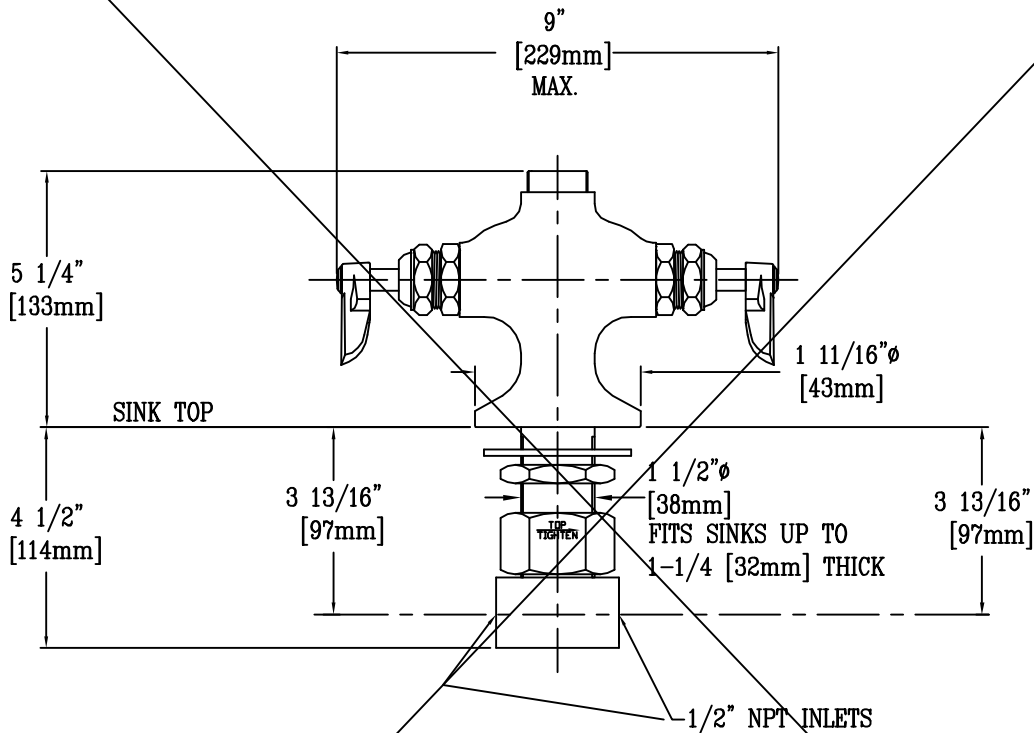
BF-0200-LN

Item No.:

Job Name:

Architect/Engineer Approval:

Notes:



DISCONTINUED

Product Description:
 "BIG-FLO" DOUBLE PANTRY FAUCET
 LESS SWIVEL NOZZLE

Drawn:

JKD

Approved

MVW

Checked

MVW

Scale:

3" = 1'

Date:

5/25/99