



T&S BRASS AND BRONZE WORKS, INC.

2 SADDLEBACK COVE / P.O. BOX 1088 / TRAVELERS REST, SC 29690

PHONE 800-476-4103

FAX 864-834-3518



REG.#A2601
ISO #9001

Model No.

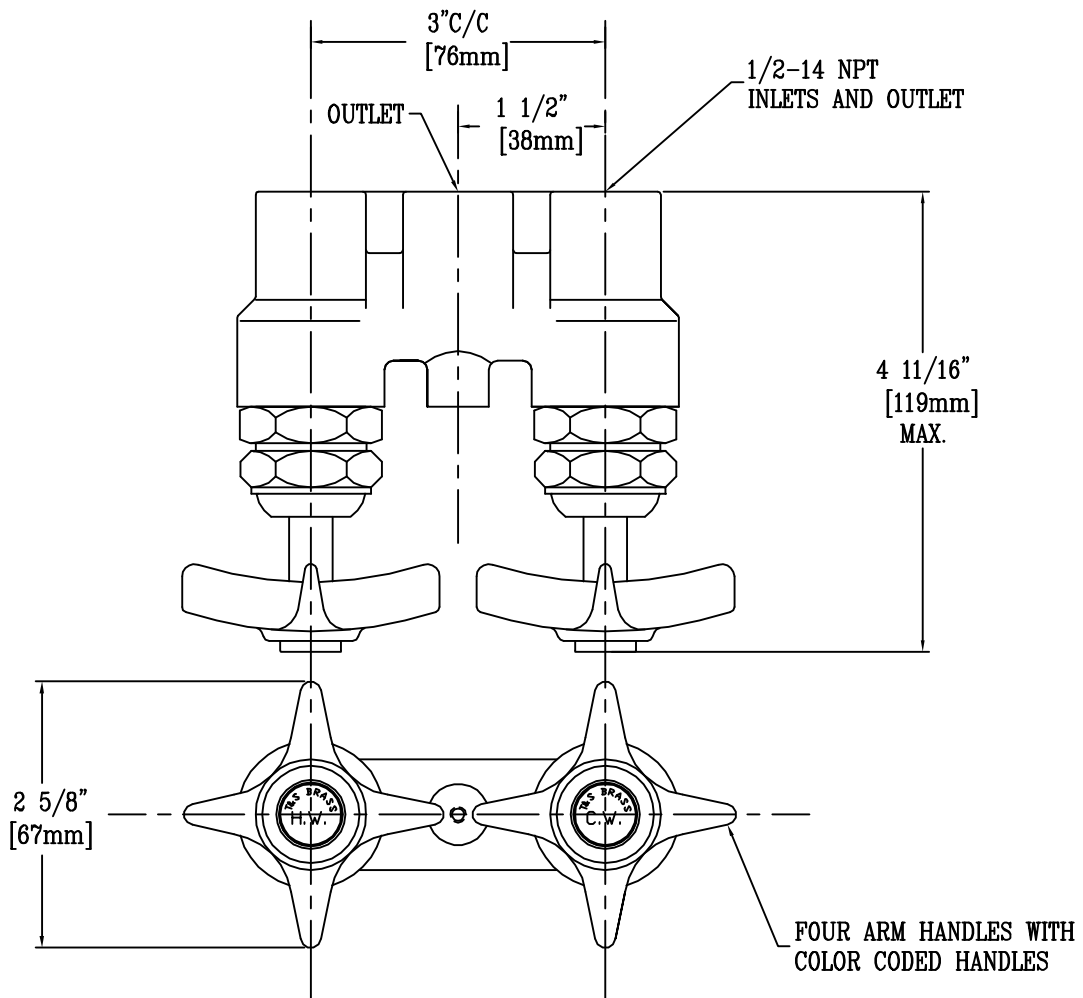
BF-2266

Item No.:

Job Name:

Architect/Engineer Approval:

Notes:



Product Description:

"BIG-FLO" CONCEALED MIXING FAUCET WITH
4-ARM POLYPROPELENE HANDLES

Drawn:

JKD

Checked

MVW

Scale:

6" = 1'

Approved

MVW

Date:

5/25/99